

Mechanical Technical Data

	Material	Plating
Plunger	Be-Cu	Gold
Barrel	Brass	Gold
Spring	Stainless steel	Silver

Physical Technical Data

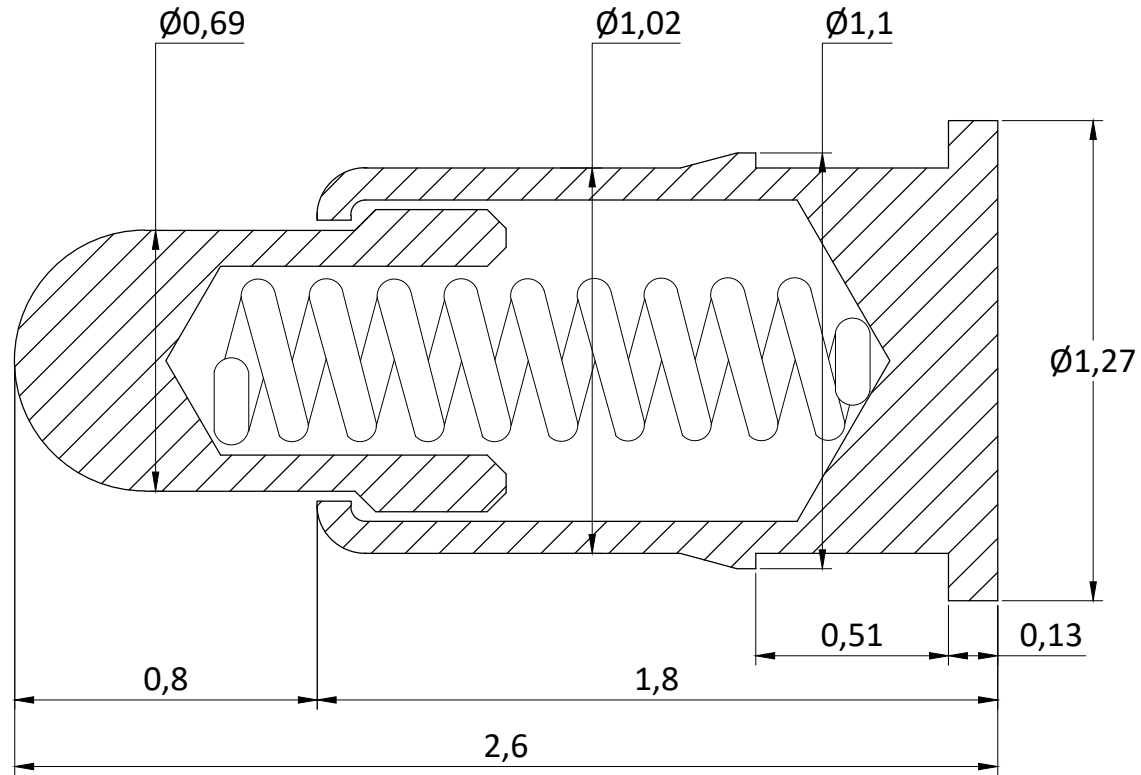
Total travel	0,8 mm
Work travel	0,8 mm


Electrical Data

Nominal R	< 10 mΩ
Current rating	9 A

Spring force (g ± 20%)

Spring force: 040g



Notes: code COTELEC CB582D069B050G			STP 26 B04 069 040 G		
Material	Treatment	Finish	Drawn by	Approved by	Draw revision
			S. Avesani	S. Avesani	01.00
			Date	14/01/2025	14/01/2025
General tolerance UNI 2768/1 - EN 22768/1 - DIN 7168					
Object code	Scale 50:1	Customer			
			Dimensioni mm		