
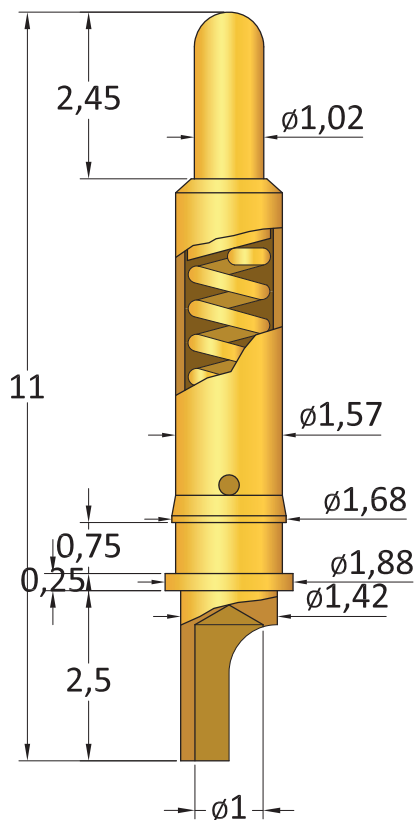


# CB 65

Solderable Probes  $\geq 2,54$  mm /  $\geq 100$  mil

## Available Tip Styles

Material	Tip Style	$\phi$ mm
B	D 	1,02



## Technical Data

Recommended minimum centers:	2,54 mm
Recommended working stroke:	2,30 mm
Maximum stroke:	2,40 mm
Current rating:	10,0 A
Typical contact resistance:	<10 m $\Omega$
Operating temperature range:	-50° up to +100°

## Materials

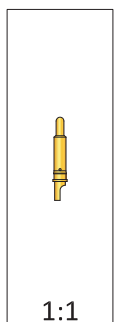
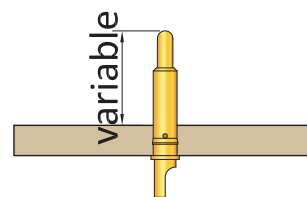
Plunger:	Brass, nickel or gold plated
Barrel:	Brass, gold plated
Spring:	Music wire, gold plated

## Spring Force ( g $\pm 20\%$ )

Spring force: 80 g

## Hole size without receptacle

Drills:  $\phi 1,65$  -  $\phi 1,66$



## Ordering example:

Series	Tip $\phi$ mm	Spring Force		
CB 65	D	102	Br	G
	Tip Style		Material Br=Brass	Plating G=Gold