
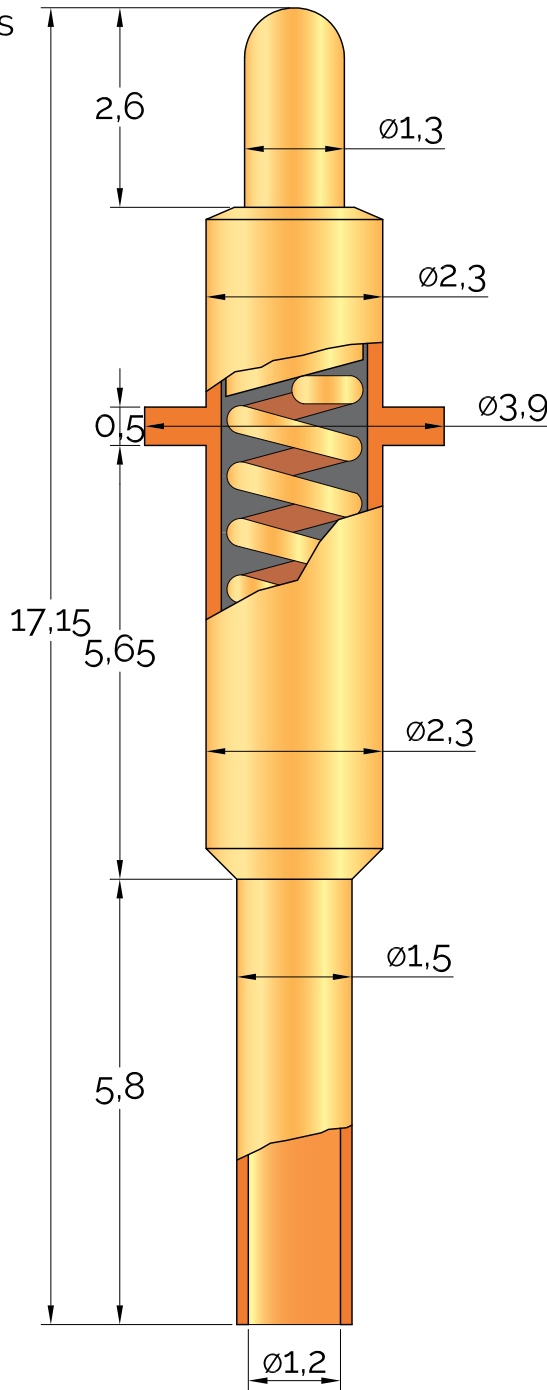


Available Tip Styles

Material	Tip Style	\varnothing mm
B	J 	1,30



Technical Data

Recommended minimum centers:	3,18 mm
Recommended working travel:	1,5 mm
Maximum travel:	2,30 mm
Current rating:	15,0 A
Typical contact resistance:	<10 m Ω
Operating temperature standard:	-50° up to +100°

Materials

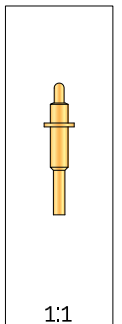
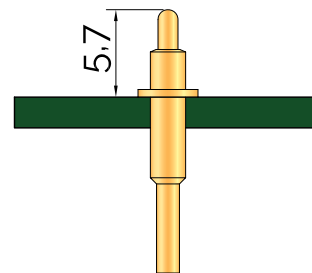
Plunger:	Be-Cu, gold plated
Barrel:	Brass, gold plated
Spring:	Music wire, silver or gold plated

Spring Force (g $\pm 20\%$)

Preload:	30 g
Spring force:	150 g

Hole size without receptacle

Drills:	$\varnothing 2,30$
---------	--------------------



Ordering Example:

Series	Tip \varnothing mm	Spring Force
CP 119	J 130	B 150 G
	Tip Style	Material
		Plating
		B=BeCu
		S=Steel
		P=Plastic
		G=Gold
		N=Nickel
		G+=Gold