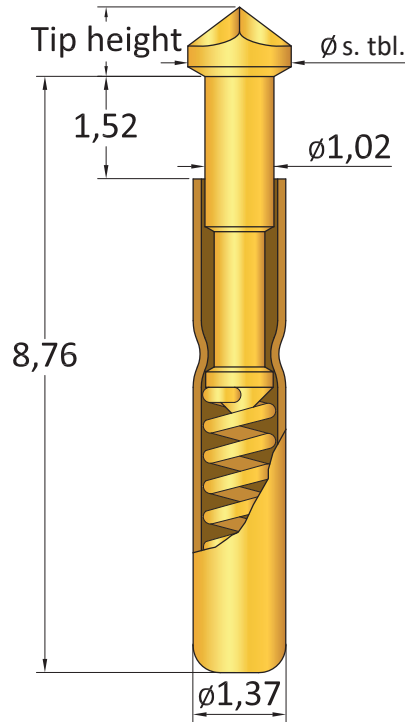


CP GSS

ICT/FCT Standard Probes $\geq 2,54$ mm / ≥ 100 mil

Available Tip Styles

Mat.	Tip Style	ϕ mm	Tip Height
B	A	1,02 1,96	1,52
B	F	1,02 1,96	1,27
B	D	1,02 1,96	0,71
B	E	1,96	1,02
B	H	1,02 1,96	1,52
B	T	1,52 1,96 2,49 3,30 3,96	1,02
B	V	1,02 1,96	1,52
B	AS	1,96	0,71



Technical Data

Recommended minimum centers:	2,54 mm
Recommended working stroke:	1,27 mm
Maximum stroke:	1,52 mm
Current rating:	3,0 A
Typical contact resistance:	<30 m Ω
Operating temperature range:	-50° up to +100°

Materials

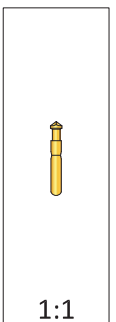
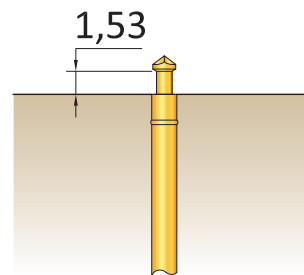
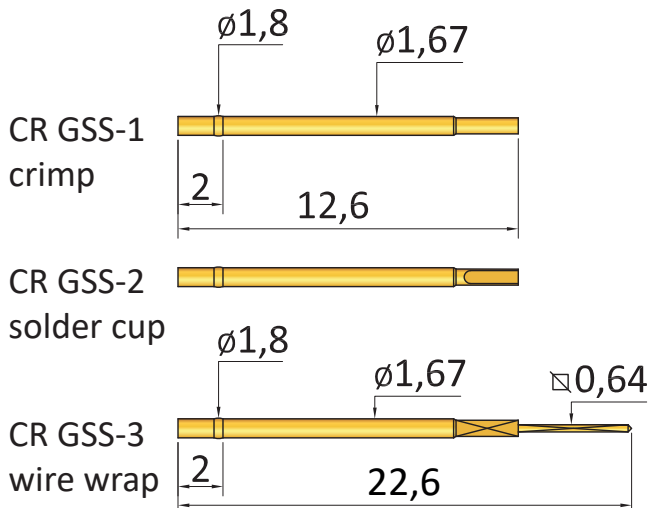
Plunger:	BeCu or Steel, nickel or gold plated
Barrel:	Nickel-silver or Brass, gold plated
Spring:	Music wire, gold plated
Receptacle:	Nickel-silver or Brass, gold plated

Spring Force (g $\pm 20\%$)

Spring force:	100 g
Alternative:	70 g

Hole size for receptacle

Drills for press ring as a stop:	$\phi 1,67$ - $\phi 1,68$
Drills for press ring insert:	$\phi 1,70$ - $\phi 1,75$



Ordering example:

Series	Tip ϕ mm	Spring Force
CP GSS	T	152
	B	100
	G	
Tip Style	Material	Plating
	B=BeCu	G=Gold
	S=Steel	N=Nickel