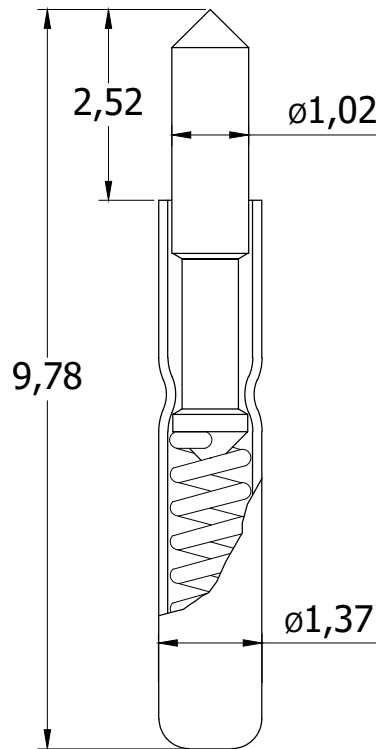


CP GSS

ICT/FCT Standard Probes $\geq 2,54$ / ≥ 100 mil

Available Tip Styles

Mat.	Tip Style	Ø Tip	Tip height
B	01	1,02 1,96	1,52
B	03	1,02 1,96	1,27
B	04	1,02 1,96	0,71
B	05	1,96	1,02
B	08	1,02 1,96	1,52
B	11	1,52 1,96 2,49 3,30 3,96	1,02
B	21	1,02 1,96	1,52
B	33	1,96	0,71



Technical Data

Recommended minimum centers:	2,54 mm
Recommended working travel:	1,27 mm
Maximum travel:	1,52 mm
Current rating:	3,0 A
Typical contact resistance:	<30 m Ω
Operating temperature standard:	-50° up to +100°

Materials

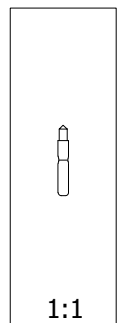
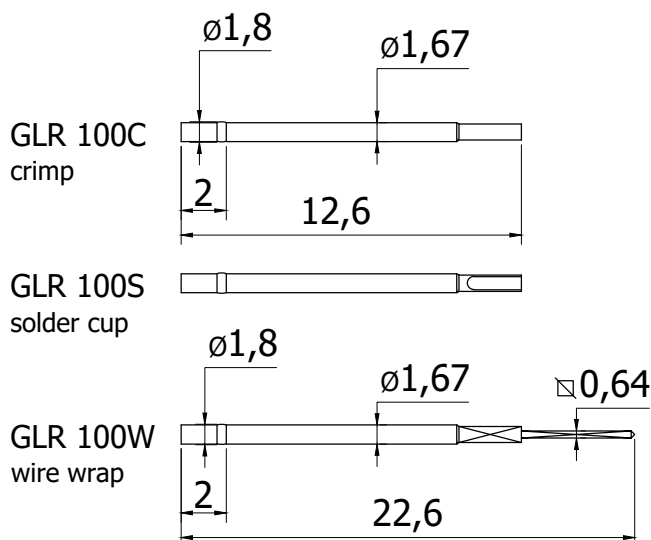
Plunger:	BeCu or Steel, nickel or gold plated
Barrel:	Nickel-silver or Brass, gold plated
Spring:	Music wire, gold plated
Receptacle:	Nickel-silver or Brass, gold plated

Spring Force (g $\pm 20\%$)

Spring force:	100 g
Alternative:	70g

Hole size for receptacle

Drills for press ring as a stop:	$\varnothing 1,67 - \varnothing 1,68$
Drills for press ring insert:	$\varnothing 1,70 - \varnothing 1,75$



Ordering example:

Series			Spring Force		
CPGSS	E	102	B	100	G
Tip Style			Material B=Be-Cu	Plating G=Gold	



This drawing and its specifications are property of Tecon srl and cannot be reproduced, copied, used or given to third parties, in whole or in part, without its written permission. All rights are protected according to law.