






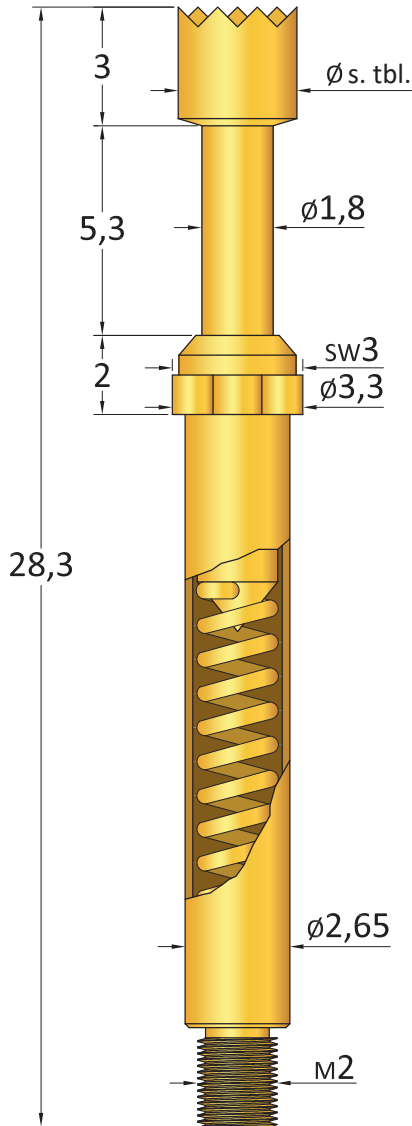


# CP 113 M

Screw-in Probes  $\geq 4,00$  mm /  $\geq 160$  mil

## Available Tip Styles

Material	Tip Style	$\phi$ mm
B	A 	1,80 3,00
B S	B 	1,80
B	F 	1,80 3,00
B	D 	1,80 3,00
B	E 	1,80 3,00
B	H 	1,80 3,00
B	HB 	3,00 4,00



## Technical Data

Recommended minimum centers:	4,00 mm
Recommended working stroke:	4,00 mm
Maximum stroke:	5,30 mm
Current rating:	5,0 - 8,0 A
Typical contact resistance:	<20 m $\Omega$
Operating temperature range:	-50° up to +100°

## Materials

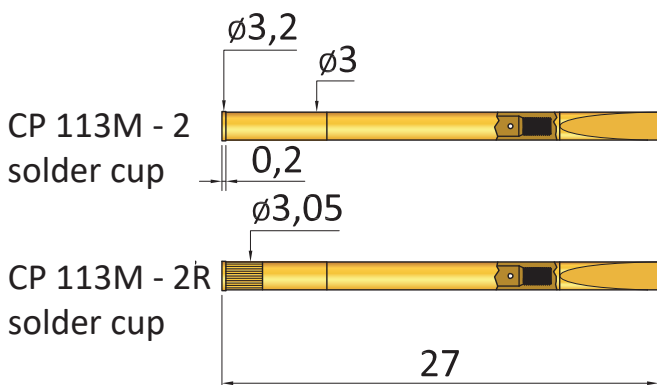
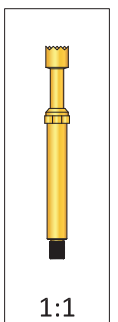
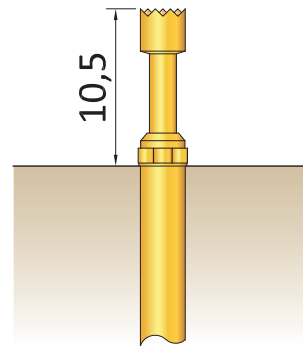
Plunger:	BeCu, nickel or gold plated
Barrel:	Brass, gold plated
Spring:	Music wire, gold plated
Receptacle:	Brass, gold plated

## Spring Force ( g $\pm 20\%$ )

Spring force:	150 g
Alternative:	200 g
	300 g
	500 g

## Hole size for receptacle

Drills:  $\phi 2,99 - \phi 3,00$



## Ordering example:

Series	Tip $\phi$ mm	Spring Force	Plating		
CP 113M	B	10	300	150	G
	Tip Style	Material			Plating
		B=BeCu			G=Gold N=Nickel