



## SERIE CP200

### Pointe de test pneumatique 118 mil / 3.0 mm

- Contacting of individual test points
- Contacting without adapter possible
- For use in function test

#### Mechanical Data

Center	3.00 mm / 118 mil
Full Travel	10.00 mm
Working Travel	6.00 mm
Spring Force at Working Travel	0.60 N
Operating Pressure	6 bar
Operating Medium	Compressed Air (filtered, oil-free)

#### Electrical Data

Max. Current Rating	2.0 A
Typical Continuity Resistance	≤ 30 mOhm

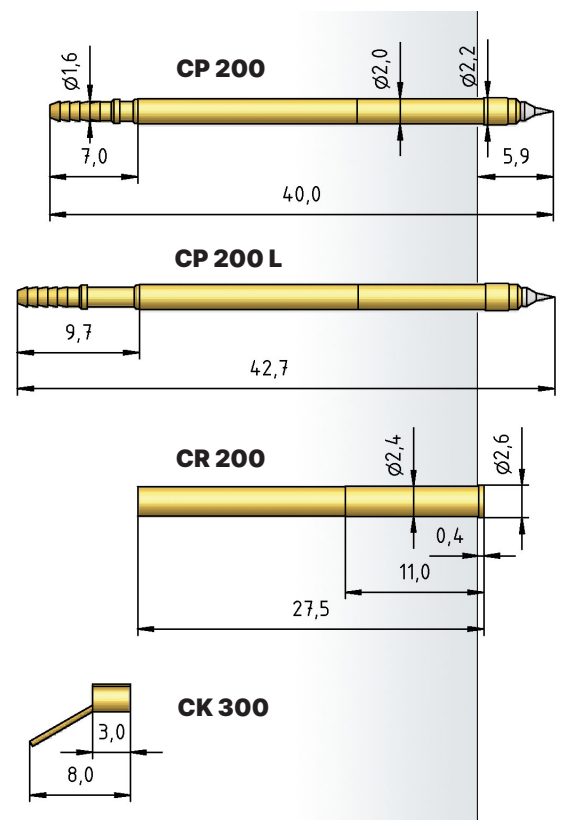
#### Materials

Barrel	Brass, gold plated
Spring	Spring Steel, gold plated
Plunger	Steel
Receptacle	Brass, gold plated

#### Recommended Diameter of Drill

HP 2361.1 (Trolitax)	2.40 mm
HGW 2372 (Glass filled Material)	2.41 mm

#### Tip Style - Diameter - Plating



Series	Tip $\varnothing$ mm	Spring Force			
CP 200	BAS 150	S	060	R	
	Tip Style	Material		Tip Plating	