

SERIE CP220

Pointe de test pneumatique 138 mil /3.5mm

- Contacting of individual test points
- Contacting without adapter possible
- For use in function test

Mechanical Data

Center	3.50 mm / 138 mil
Full Travel	10.00 mm
Working Travel	6.00 mm
Spring Force at Working Travel	0.80 N
Operating Pressure	6 bar
Operating Medium	Compressed Air (filtered, oil-free)

Electrical Data

Max. Current Rating	2.0 A
Typical Continuity Resistance	≤ 30 mOhm

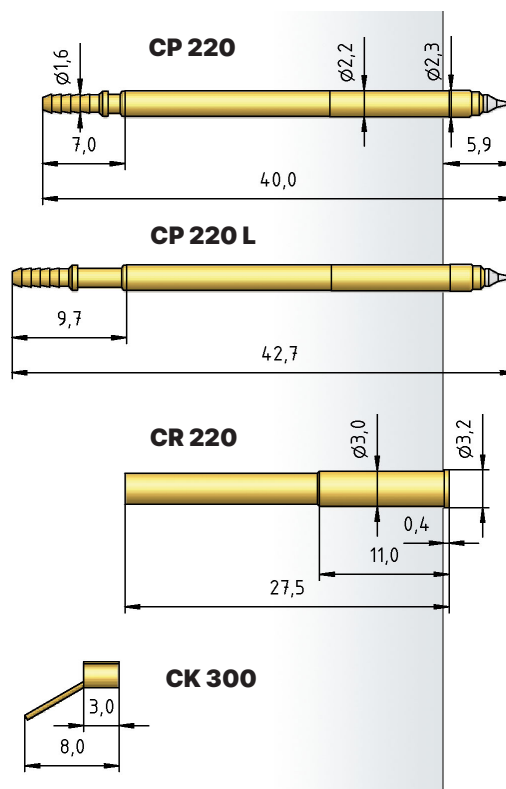
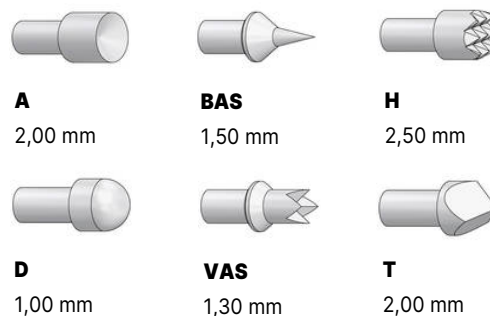
Materials

Barrel	Brass, gold plated
Spring	Spring Steel, gold plated
Plunger	Steel
Receptacle	Brass, gold plated

Recommended Diameter of Drill

HP 2361.1 (Trolitax)	3.00 mm
HGW 2372 (Glass filled Material)	3.01 mm

Tip Style - Diameter - Plating



Series	Tip \varnothing mm	Spring Force			
CP 220	VAS	130	S	080	R
	Tip Style		Material		Tip Plating