

F588

Up to 5 A | 100 mil | ICT application



Electrical specifications

Current [A]	5
R _{TYP} [mOhm]	<20

Mechanical specifications

Temperature [°C]	-45°...+100°	
Preload [cN]	80	110
Spring force [cN] at nt ±20%	180	300
Nominal travel [mm]	9.3	9.3
Maximum travel [mm]	11.7	11.7

Materials and plating

Plunger	BeCu	gold plated
Barrel	Nickel silver	gold plated
Spring	Spring steel	silver plated
Receptacle	Nickel silver	gold plated

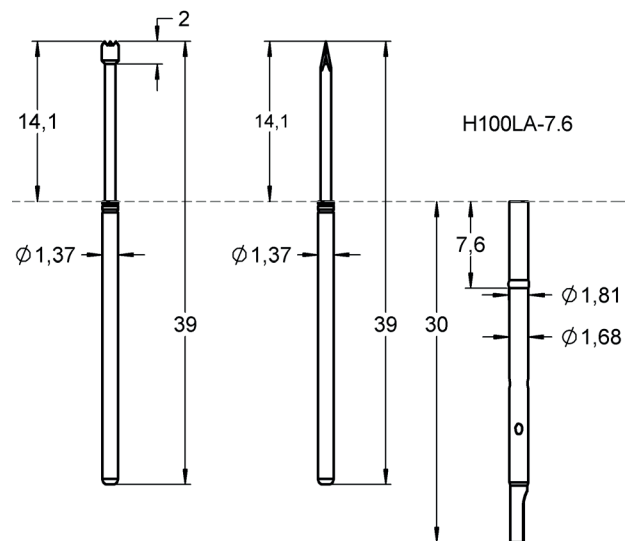
Accessories

1010818	H100LA-7.6	Receptacle
1008392	FEWZ-100EV	Insertion tool receptacle
1003566	FDWZ-100	Insertion tool probe


* Overview of other receptacles H100 on page 34+35

Series drawing

All measurements are in mm.



BASIC PROBES 100 MIL

Order code	Product name	Tip Style	Tip Ø [mm]	Material/Plating	Force [cN]	Thread [M]	Version	FM Choice
1001507	F58805B150G180	05 	1.50	B / G	180	-	-	
1001508	F58806B150G180	06 	1.50	B / G	180	-	-	
1007399	F58806B150G300	06 	1.50	B / G	300	-	-	
1000110	F58811B090G180	11 	0.90	B / G	180	-	-	-
1007491	F58812B150G180	12 	1.50	B / G	180	-	-	-
1005813	F58815B150G180	15 	1.50	B / G	180	-	-	
1007400	F58815B150G300	15 	1.50	B / G	300	-	-	
1001509	F58818B076G180	18 	0.76	B / G	180	-	-	-
1007401	F58818B076G300	18 	0.76	B / G	300	-	-	-
1001510	F58821S076L180	21 	0.76	S / L	180	-	-	-
1007195	F58821S090L180	21 	0.90	S / L	180	-	-	-
1012220	F58821S090L300	21 	0.90	S / L	300	-	-	-
1010465	F58821S090P180	21 	0.90	S / P	180	-	-	-
1001476	F58828B150G180	28 	1.50	B / G	180	-	-	-
1007402	F58828B150G300	28 	1.50	B / G	300	-	-	-
1001477	F58833S076L180	33 	0.76	S / L	180	-	-	
1005360	F58833S090L180	33 	0.90	S / L	180	-	-	
1007199	F58833S090L300	33 	0.90	S / L	300	-	-	-
1010480	F58833S090P180	33 	0.90	S / P	180	-	-	
1041857	F58835S150P300	35 	1.50	S / P	300	-	-	-
1001478	F58836S140L180	36 	1.40	S / L	180	-	-	-
1008855	F58836S140L300	36 	1.40	S / L	300	-	-	-
1007182	F58838S090L180	38 	0.90	S / L	180	-	-	-
1009003	F58841B150G300IK	41 	1.50	B / G	300	-	IK	-
1010469	F58843S090P180	43 	0.90	S / P	180	-	-	-
1004197	F58863B150G180	63 	1.50	B / G	180	-	-	-
1009595	F58863B150G300	63 	1.50	S / L	300	-	-	-