

F703

Up to 4 A | 75 mil | ICT application



Electrical specifications

Current [A]	4
R _{TYP} [mOhm]	<20

Mechanical specifications

Temperature [°C]	-45°...+100°
Preload [cN]	70
Spring force [cN] at nt ±20%	150
Nominal travel [mm]	4.3
Maximum travel [mm]	6.4

Materials and plating

Plunger	BeCu	gold plated
	Steel	longtime gold plated
Barrel	Nickel silver	gold plated
Spring	Spring steel	silver plated
Receptacle	Nickel silver	gold plated

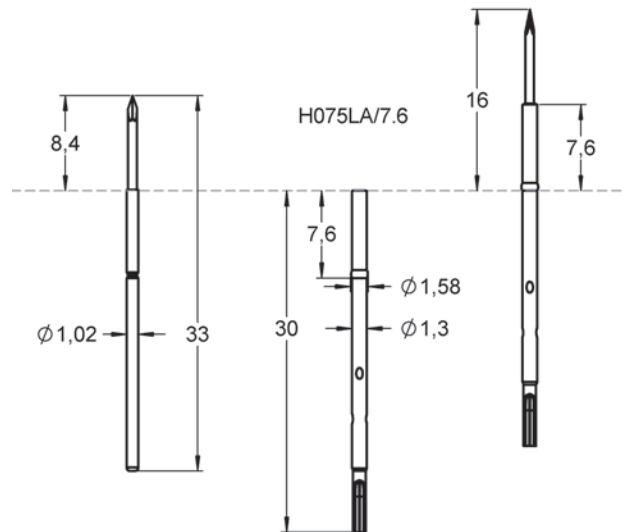
Accessories

1010808	H075LA-7.6	Receptacle
1008325	FEWZ-075EV	Insertion tool receptacle
1003587	FDWZ-075	Insertion tool probe

* Overview of other receptacles H075 on page 52+53

Series drawing

All measurements are in mm.



Drill size recommendation (mm)

H075...	Press ring as stop	1.29 - 1.30
H075...	Press ring inserted	1.36 - 1.40

Order code	Product name	Tip Style	Tip Ø [mm]	Material/Plating	Force [cN]	Thread [M]	Version	FM Choice
1017943	F70311B078G150	11	0.78	B / G	150	-	-	-
1017949	F70318B078G150	18	0.78	B / G	150	-	-	-
1017942	F70321S078L150	21	0.78	S / L	150	-	-	-
1017953	F70333S078L150	33	0.78	S / L	150	-	-	-