

THREADED PROBES



F722

5 A | 100 mil | Threaded

Electrical specifications

Temperature [°C]	-45°...+100°
Current [A]	5
R _{TYP} [mOhm]	<25

Mechanical specifications

Preload [cN]	40
Spring force [cN] at nt ±20%	100
Nominal travel [mm]	1.5
Maximum travel [mm]	2.2

Materials and plating

Plunger	BeCu	gold plated
Barrel	Brass	gold plated
Spring	Spring steel	silver plated
Receptacle	Brass	gold plated

Accessories

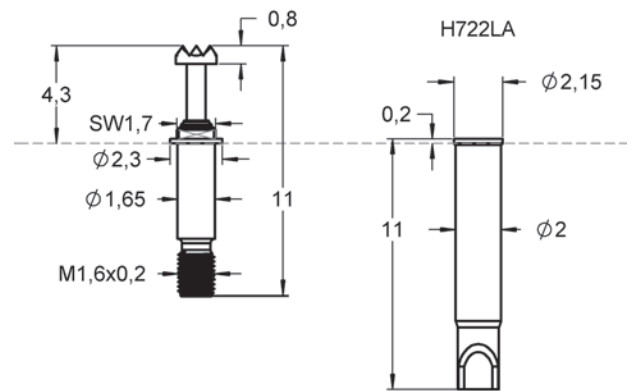
1005355	H722LA	Receptacle
1014264	FEWZ-100E0	Insertion tool receptacle
1004610	FWZ732T	Screw-in tool probe <Ø2.0 mm

Drill size recommendation (mm)

1006777	H722LA	1.99 - 2.00
---------	--------	-------------

Series drawing

All measurements are in mm.



Order code	Product name	Tip Style	Tip Ø [mm]	Material/Plating	Force [cN]	Thread [M]	Version	FM Choice
1014956	F72205B180G100	05	1.80	B / G	100	M1.6x0.2	-	-
1035121	F72206B100G100	06	1.00	B / G	100	M1.6x0.2	-	-
1006775	F72206B180G100	06	1.80	B / G	100	M1.6x0.2	-	-
1007927	F72211B064G100	11	0.64	B / G	100	M1.6x0.2	-	-
1006789	F72211B085G100	11	0.85	B / G	100	M1.6x0.2	-	-
1006945	F72217B180G100	17	1.80	B / G	100	M1.6x0.2	-	-