



FM Choice

Basic Threaded Probes

F72406B200G150

Item number 1051111



General

Design	Basic Contact Probe
Type/family	F724
Pitch (mm/mil)	2,54 / 100
Temperature [C°]	-45°C...+100°C

Electrical specifications

Continuous current (A)	5.00
Typical contact resistance (mOhm)	20.00

Mechanical specifications

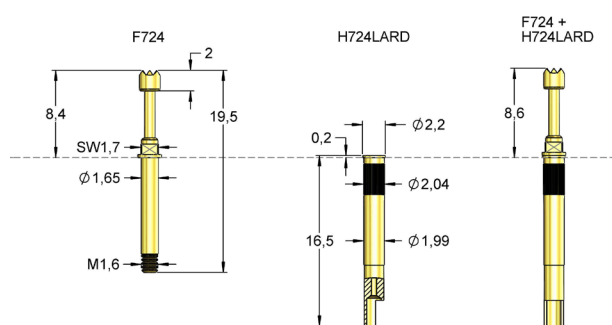
Preload (cN)	50.00
Spring force (cN)	150.00
Nominal travel (mm)	3.50
Maximum travel (mm)	4.50
Pointing accuracy +/- (mm)	0.08
Thread	M1,6
Tool size (mm)	1,7
Connection type (flux-proof)	Thread

Dimensions

Total length (mm)	19.50
Projection height (mm)	8.40
Tip style diameter (mm)	2.00
Barrel diameter (mm)	1.65
Collar diameter (mm)	2.30

Family drawing

All measurements are in mm.



M 1:1



Materials & surfaces

Tip style	06
Tip style material	Beryllium cooper
Tip style plating	Gold
Plunger material	Cooper
Plunger plating	Gold
Barrel material	Brass
Barrel plating	Gold
Spring material	Spring steel
Spring plating	Gold