

THREADED PROBES



F734

10 A | 157 mil | Threaded

Electrical specifications

Temperature [°C]	-45°...+100°	
Current [A]	10	
R _{TYP} [mOhm]	<25	

Mechanical specifications

Preload [cN]	60	120
Spring force [cN] at nt ±20%	150	300
Nominal travel [mm]	5.6	5.6
Maximum travel [mm]	7.0	7.0

Materials and plating

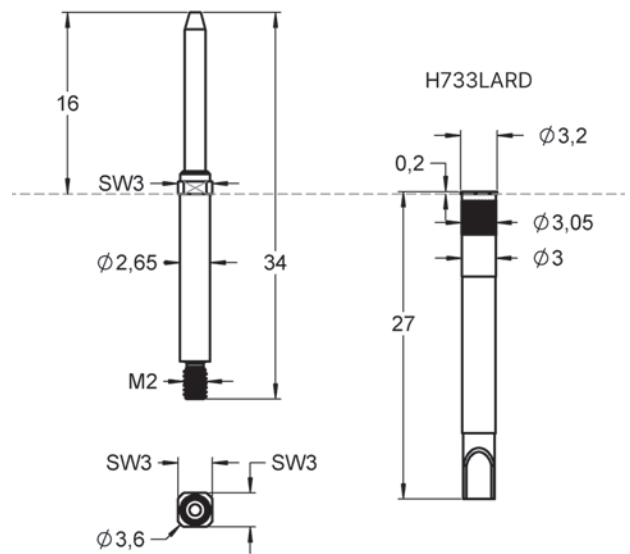
Plunger	BeCu	gold plated
	Steel	longtime gold plated
Barrel	Brass	gold plated
Spring	Spring steel	silver plated
Receptacle	Brass	gold plated

Accessories

1003077	H733LAS1	Receptacle
1005514	H733LARD	Receptacle
1022713	H733LARDS1	Receptacle
1003642	FEWZ-774E0	Insertion tool receptacle
1029813	FWZ733S1T	Screw-in tool probe \varnothing3 mm

Series drawing

All measurements are in mm.



Drill size recommendation (mm)

Receptacle without knurl	2.98 - 2.99
Receptacle with knurl	3.00 - 3.02

Order code	Product name	Tip Style	Tip \varnothing [mm]	Material/Plating	Force [cN]	Thread [M]	Version	FM Choice
1016810	F73416B180G150	16	1.80	B / G	150	M2	-	-
1018326	F73418S180L300	18	1.80	S / L	300	M2	-	-
1018234	F73439B180G150	39	1.80	B / G	150	M2	-	-
1018325	F73439B180G300	39	1.80	B / G	300	M2	-	-