

F768

Up to 3 A | 50 mil | Limited space



Electrical specifications

Current [A]	3
R _{TYP} [mOhm]	<20

Mechanical specifications

Temperature [°C]	-45°...+100°
Preload [cN]	50
Spring force [cN] at nt ±20%	130
Nominal travel [mm]	3.2
Maximum travel [mm]	4.0

Materials and plating

Plunger	BeCu	gold plated
	Steel	longtime gold plated
Barrel	Bronze	gold plated
Spring	Spring steel	silver plated
Receptacle	Nickel silver	gold plated

Accessories

1001860	H787LA	Receptacle
1008393	FEWZ-050EV	Insertion tool receptacle
1003576	FDWZ-050	Insertion tool probe

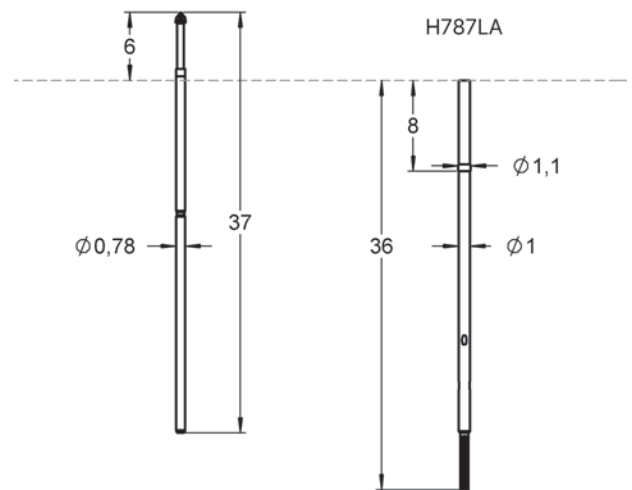
* Overview of other receptacles H787 on page 83

Drill size recommendation (mm)

H787...	Press ring as stop	0.99 - 1.00
H787...	Press ring inserted	1.05 - 1.07

Series drawing

All measurements are in mm.



BASIC PROBES 50 MIL

Order code	Product name	Tip Style	Tip Ø [mm]	Material/Plating	Force [cN]	Thread [M]	Version	FM Choice
1001610	F76806B090G130	06 	0.90	B / G	130	-	-	-
1001611	F76807S090L130	07 	0.90	S / L	130	-	-	-
1001612	F76811B060G130	11 	0.60	B / G	130	-	-	-
1001613	F76818B060G130	18 	0.60	B / G	130	-	-	-
1001614	F76821S060L130	21 	0.60	S / L	130	-	-	-
1001615	F76828B090G130	28 	0.90	B / G	130	-	-	-
1001617	F76833S060L130	33 	0.60	S / L	130	-	-	-