

# F793

Up to 4 A | 75 mil | FCT application



### Electrical specifications

Current [A]	4
R <sub>TYP</sub> [mOhm]	<20

### Mechanical specifications

Temperature [°C]	-45°...+100°
Preload [cN]	20
Spring force [cN] at nt ±20%	120
Nominal travel [mm]	8.0
Maximum travel [mm]	10.0

### Materials and plating

Plunger	BeCu / Steel	gold plated
Barrel	Nickel silver	gold plated
Spring	Spring steel	silver plated
Receptacle	Nickel silver	gold plated

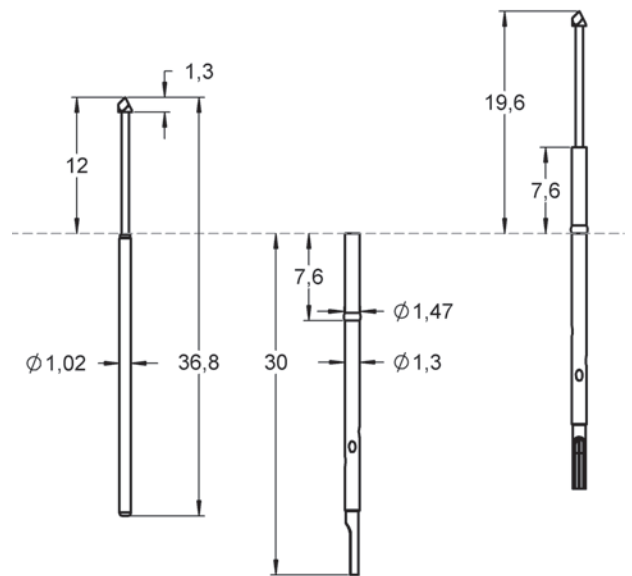
### Accessories

1008325	FEWZ-075EV	Insertion tool receptacle
1003587	FDWZ-075	Insertion tool probe

\* Overview of other receptacles H075 on page 52+53

### Series drawing

All measurements are in mm.



### Drill size recommendation (mm)

H075...	Press ring as stop	1.29 - 1.30
H075...	Press ring inserted	1.36 - 1.40

Order code	Product name	Tip Style	Tip Ø [mm]	Material/Plating	Force [cN]	Thread [M]	Version	FM Choice
1006533	F79306B120G120	06	1.20	B / G	120	-	-	-
1007492	F79312B120G120	12	1.20	B / G	120	-	-	-
1006535	F79314B120G120	14	1.20	B / G	120	-	-	-
1006534	F79315B120G120	15	1.20	B / G	120	-	-	-
1006383	F79321B064G120	21	0.64	B / G	120	-	-	-
1006898	F79330S064L120	30	0.64	S / L	120	-	-	-
1006707	F79333S064L120	33	0.64	S / L	120	-	-	-
1006536	F79338S064L120	38	0.64	S / L	120	-	-	-