

**NEW**

## F888 (NO)

197 mil | With ball head | Threaded



### Electrical specifications

Temperature [°C]	-45°...+100°
Current [A]	5
Current switch [A]	1
R <sub>TYP</sub> [mOhm]	<25

### Mechanical specifications

Switch travel [mm]	0.35
Preload [cN]	90
Spring force [cN] at nt ±20%	130
Nominal travel [mm]	0.80
Maximum travel [mm]	0.85

### Materials and plating


Ball	Steel	unplated
Barrel	Brass	gold plated
Spring	Spring steel	unplated
Receptacle	Brass	gold plated

### Accessories

1143202	H888RDS2	Receptacle
1005027	FEWZ-735E0	Insertion tool receptacle
1001682	FWZ733	Screw-in tool probe

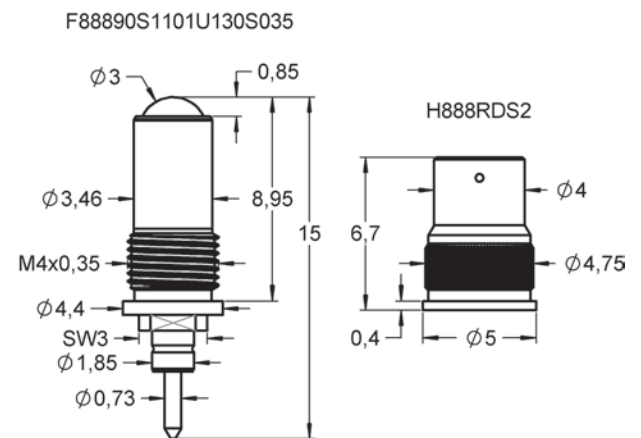
### Drill size recommendation (mm)

1143202	H888RDS2	4.67 - 4.71
---------	----------	-------------

Order code	Product name	Tip Style	Tip Ø [mm]	Material/Plating	Force [cN]	Thread [M]	Version	FM Choice
1132733	F88890S1101U130S035	90 	3.00	S / U	130	M4x0.35	S035	-

### Series drawing

All measurements are in mm.



Due to a rolling ball as contact element probes of the series F888 are insensitive against lateral forces. A common application is the lateral presence test of connector housings in test modules.

F88890S1101U130S035 is the smallest ball switch solution on the market and is especially designed for modules with limited space. Plugable version available.

# SWITCH PROBES



## F888 (NO)

256 mil | With ball head | Pluggable

### Electrical specifications

Temperature [°C]	-45°...+100°	
Current [A]	5	
Current switch [A]	1	
R <sub>TYP</sub> [mOhm]	<25	

### Mechanical specifications

Switch travel [mm]	0.5	0.8
Preload [cN]	70	70
Spring force [cN] at nt ±20%	100	100
Nominal travel [mm]	1.4	1.4
Maximum travel [mm]	1.4	1.4

### Materials and plating

Ball	Steel	unplated
Barrel	Brass	gold plated
Spring	Stainless steel	unplated
Connecting element	Brass	gold plated

### Accessories

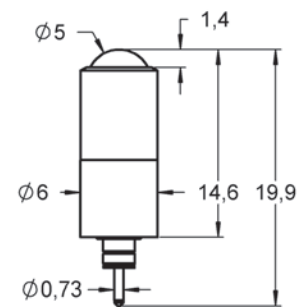
1007794	H888AE	Connecting element
---------	--------	--------------------

### Drill size recommendation (mm)

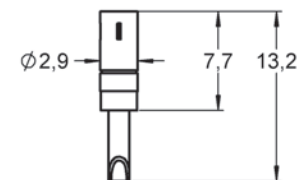
Barrel diameter	6.00
-----------------	------

### Series drawing

All measurements are in mm.



H888AE



Due to a rolling ball as contact element probes of the series F888 are insensitive against lateral forces. A common application is the lateral presence test of connector housings in test modules.

With the F88890S0003U100S05, the switching circuit of this probe is not galvanically isolated against the barrel.

With the F88890S1003U100S05, on the other hand, the switching circuit is galvanically isolated from the barrel and the ball head, meaning that it can be used potential-free.

Order code	Product name	Tip Style	Tip Ø [mm]	Material/Plating	Force [cN]	Thread [M]	Version	FM Choice
1024113	F88890S0003U100S05	90	5.00	S / U	100	-	S05	-
1009589	F88890S0003U100S08	90	5.00	S / U	100	-	S08	-
1035689	F88890S1003U100S05	90	5.00	S / U	100	-	S05	-

# SWITCH PROBES



## F888 (NO)

275 mil | With ball head | Threaded

### Electrical specifications

Temperature [°C]	-45°...+100°
Current [A]	5
Current switch [A]	1
R <sub>TYP</sub> [mOhm]	<25

### Mechanical specifications

Switch travel [mm]	0.5
Preload [cN]	100
Spring force [cN] at nt ±20%	200
Nominal travel [mm]	1.0
Maximum travel [mm]	1.0

### Materials and plating

Ball	Steel	unplated
Barrel	Brass	gold plated
Spring	Spring steel	gold plated
Receptacle	Brass	gold plated

### Accessories

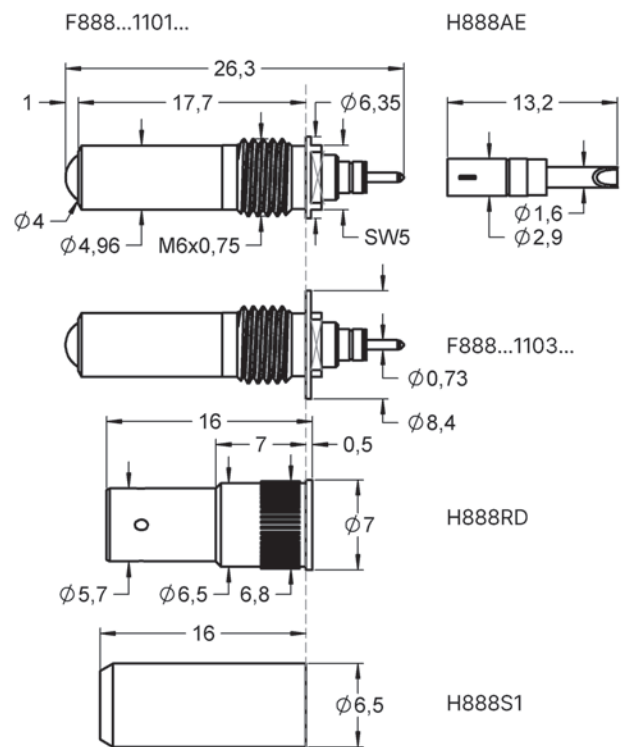
1007756	H888RD	Receptacle
1007758	H888S1	Receptacle
1035560	FEWZ-888	Insertion tool receptacle
1009978	FWZ888SA	Adjustment tool for probes
1007788	FWZ888	Screw-in tool probe

### Drill size recommendation (mm)

1007758	H888S1	6.50
1143202	H888RD	6.55 - 6.70

### Series drawing

All measurements are in mm.



Due to a rolling ball as contact element probes of the series F888 are insensitive against lateral forces. A common application is the lateral presence test of connector housings in test modules. The switch circuit of this probe is galvanically isolated against the barrel.

The same probe just with a larger collar of 8,4 mm instead of 6,35 mm is available by order code F88890S1103U200S05.

Order code	Product name	Tip Style	Tip Ø [mm]	Material/Plating	Force [cN]	Thread [M]	Version	FM Choice
1009596	F88890S1101U200S05	90	4.00	S / U	200	M6x0.75	S05	-
1010552	F88890S1103U200S05	90	4.00	S / U	200	M6x0.75	S05	-

# SWITCH PROBES



## F888 (NO)

354 mil | With ball head | Threaded

### Electrical specifications

Temperature [°C]	-45°...+100°
Current [A]	5
Current switch [A]	1
R <sub>TYP</sub> [mOhm]	<25

### Mechanical specifications

Switch travel [mm]	0.7
Preload [cN]	70
Spring force [cN] at nt ±20%	100
Nominal travel [mm]	1.5
Maximum travel [mm]	1.5

### Materials and plating


Ball	Steel	unplated
Barrel	Brass	gold plated
Spring	Stainless steel	unplated
Receptacle	Brass	gold plated

### Accessories

1007756	H888RD	Receptacle
1007758	H888S1	Receptacle
1035561	FEWZ-888S1	Insertion tool receptacle
1009979	FWZ888SA1	Adjustment tool for probes
1007788	FWZ888	Screw-in tool probe

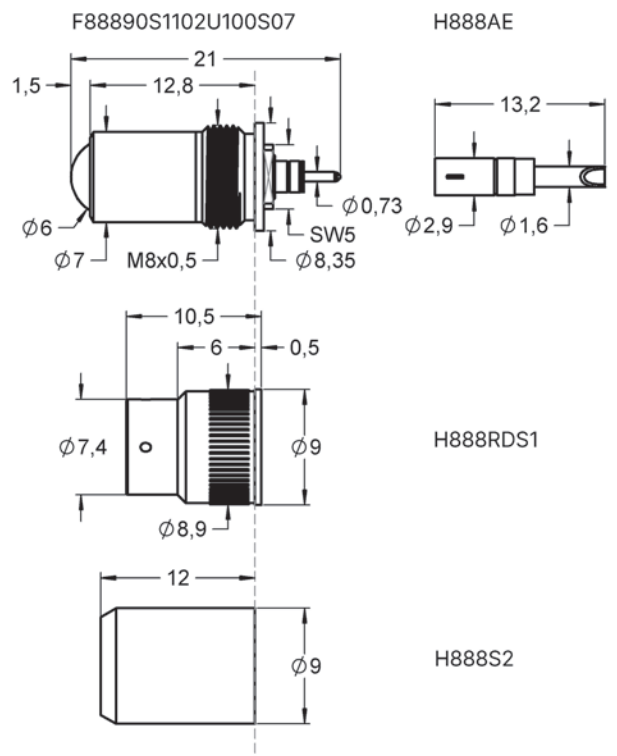
### Drill size recommendation (mm)

1009650	H888S2	9.0
1009858	H888RDS1	8.75 - 8.85

Order code	Product name	Tip Style	Tip Ø [mm]	Material/Plating	Force [cN]	Thread [M]	Version	FM Choice
1009601	F88890S1102U100S07	90 	6.00	S / U	100	M8x0.5	S07	-

### Series drawing

All measurements are in mm.



Due to a rolling ball as contact element probes of the series F888 are insensitive against lateral forces. A common application is the lateral presence test of connector housings in test modules. The switch circuit of this probe is galvanically isolated against the barrel.