



FL118

Up to 5 A | 118 mil |
For Scorpion Testsystems

Electrical specifications

Current [A]	5
R _{TYP} [mOhm]	<20

Mechanical specifications

Temperature [°C]	-45°...+100°
Preload [cN]	50
Spring force [cN] at nt ±20%	150
Nominal travel [mm]	6.4
Maximum travel [mm]	8.0

Materials and plating


Plunger	Steel	Longtime gold plated
Barrel	Brass	gold plated
Spring	Spring steel	gold plated
Receptacle	Brass	gold plated

Accessories

1005355	H732LARD	Receptacle
1003640	FEWZ-772E0	Insertion tool receptacle
1004610	FWZ732T	Insertion tool probe

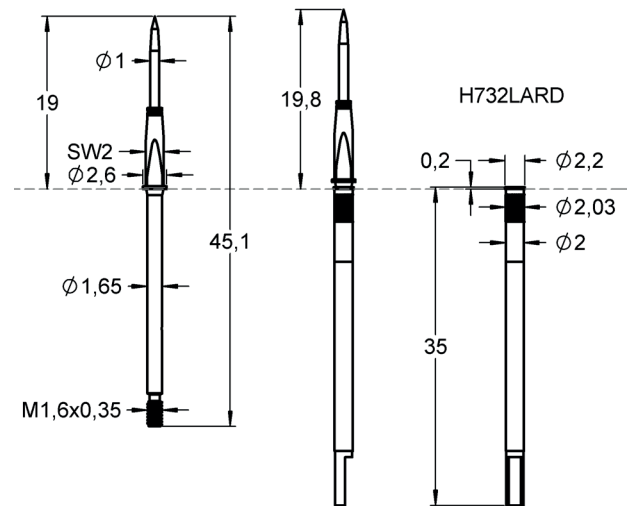
Drill size recommendation (mm)

1005355	H732LARD	2.00 - 2.02
---------	----------	-------------

Order code	Product name	Tip Style	Tip Ø [mm]	Material/Plating	Force [cN]	Thread [M]	Version	FM Choice
1010899	FL11818S100L150E19M	18 	1.00	S / L	150	M1.6x0.35	E19M	-

Series drawing

All measurements are in mm.



FL118

Up to 1 A | 118 mil |
For Spea Testsystems



Electrical specifications

Current [A]	1
R _{TYP} [mOhm]	<40

Mechanical specifications

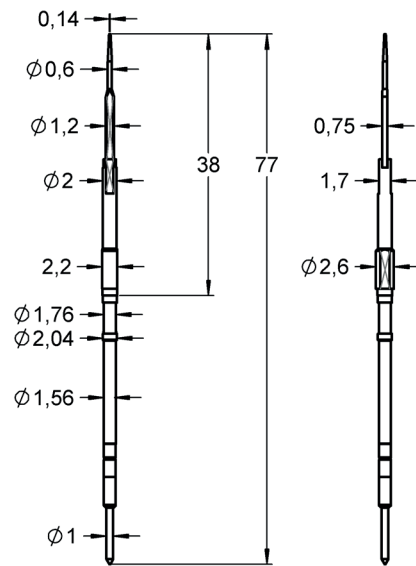
Temperature [°C]	-45°...+100°
Preload [cN]	60
Spring force [cN] at nt ±20%	100
Nominal travel [mm]	2.0
Maximum travel [mm]	10.0

Materials and plating

Plunger	Steel	Longtime gold plated
Barrel	Brass	gold plated
Spring	Spring steel	gold plated

Series drawing

All measurements are in mm.



Order code	Product name	Tip Style	Tip Ø [mm]	Material/Plating	Force [cN]	Thread [M]	Version	FM Choice
1095118	FL11829S020L100E38C111-2	29	0.20	S / L	100	-	C111-2	-