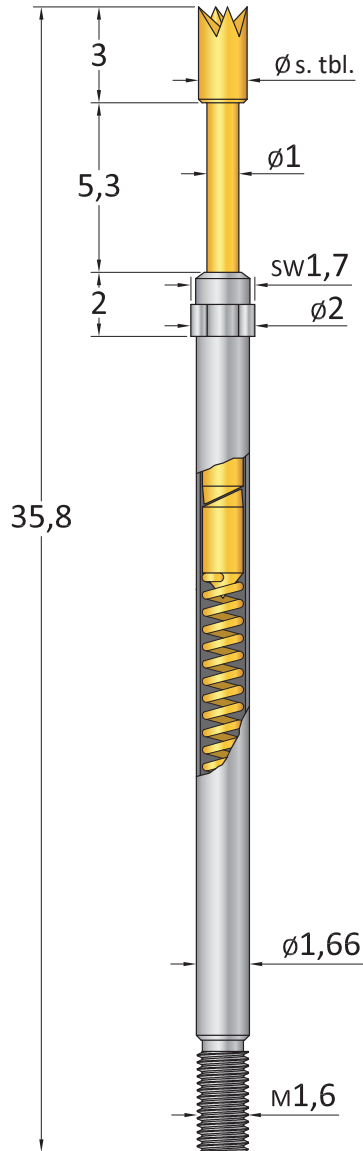


HC 118M

High Current Probes $\geq 2,54$ mm / ≥ 100 mil

Available Tip Styles

Material	Tip Style	ϕ mm
B	A	1,00
		1,80
		2,00
B	F	1,00
		1,80
		2,00
B	D	1,00
		1,80
		2,00
B	E	1,80
		2,00
B	H	1,00
		1,80
		2,00
B	HB	2,00
B	T	2,00
B	LM	1,00
		1,80
		2,00
B	V	1,00
		1,80
		2,00



Technical Data

Recommended minimum centers:	2,54 mm
Recommended working stroke:	4,00 mm
Maximum stroke:	5,30 mm
Current rating:	20,0 A
Typical contact resistance:	<10 m Ω
Operating temperature range:	-50° up to +100°

Materials

Plunger:	BeCu or Steel, gold plated
Barrel:	Brass, silver plated
Spring:	Music wire, gold plated
Receptacle:	Brass, gold plated

Spring Force (g $\pm 20\%$)

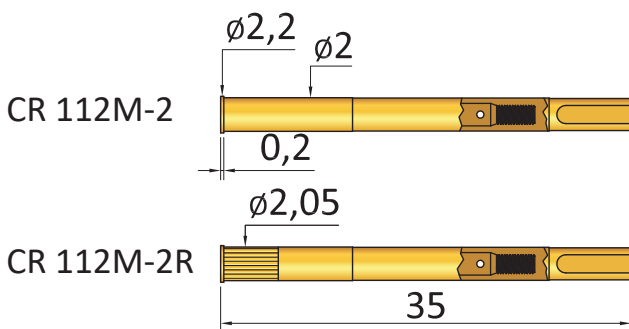
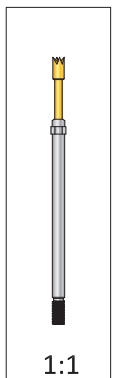
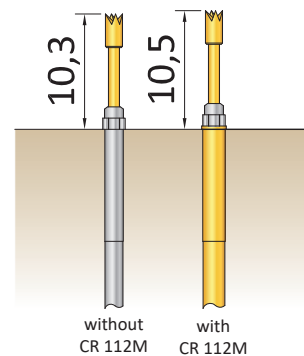
Spring force:	200 g
Alternative:	150 g
	250 g
	300 g

Hole size without receptacle

Drills: $\phi 1,66 - \phi 1,67$

Hole size with receptacle

Drills: $\phi 1,99 - \phi 2,02$



Ordering example:

Series	Tip ϕ mm	Spring Force			
HC 118M	HB	396	B	200	G
	Tip Style		Material		Plating
			B=BeCu		G=Gold
			S=Steel		