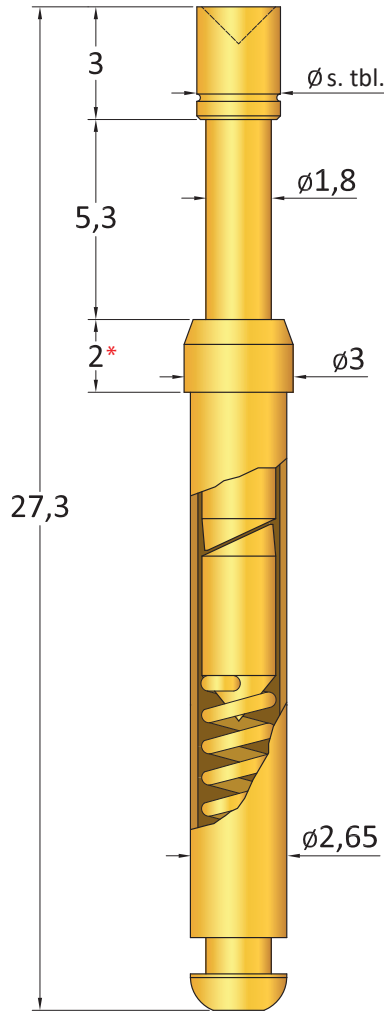


## Available Tip Styles

Material	Tip Style	$\phi$ mm
B	A	2,30
		3,00
		4,00
B	F	2,30
		3,00
		4,00
B	D	1,80
		2,50
		4,00
B	H	1,80
		2,50
		4,00
B	HB	4,00
		6,00
B	K	2,30
		3,00
		4,00
B	V	1,80
		2,50
		4,00
B	BF	1,80



## Technical Data

Recommended minimum centers:	4,00 mm
Recommended working stroke:	4,00 mm
Maximum stroke:	5,30 mm
Current rating:	15,0 - 30,0 A
Typical contact resistance:	<10 m $\Omega$
Operating temperature range:	-50° up to +100°

## Materials

Plunger:	BeCu, nickel or gold plated
Barrel:	Brass, gold plated
Spring:	Music wire, gold plated
Receptacle:	Brass, gold plated

## Spring Force ( g $\pm 20\%$ )

Spring force:	150 g
Alternative:	200 g
	300 g
	500 g

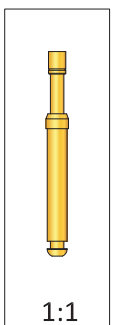
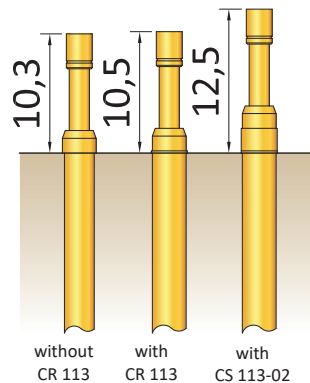
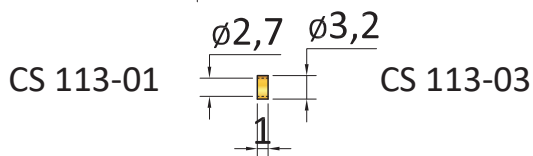
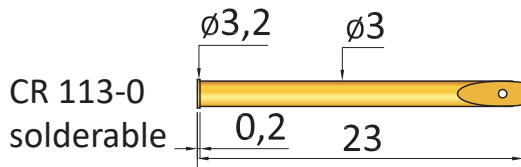
## Hole size without receptacle

Drills:  $\phi 2,64 - \phi 2,65$

## Hole size with receptacle

Drills:  $\phi 2,99 - \phi 3,00$

* Collar Height	Total Length
2	27,3
5	30,3
10	35,3



## Ordering example:

Series	Tip Style	Material	Plating
		B=BeCu S=Steel	G=Gold N=Nickel
HC 120	-2	B	G
	A	150	
	230		

Collar Height      Tip  $\phi$  mm      Spring Force