





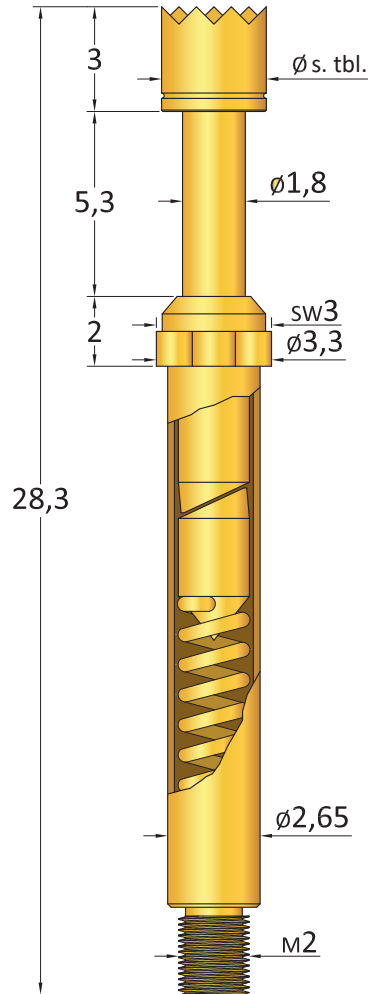


HC 120M

High Current Probes $\geq 4,00$ mm / ≥ 160 mil

Available Tip Styles

Material	Tip Style	ϕ mm
B	A 	2,30 3,00
B	F 	2,30 4,00
B	D 	2,30 3,00
B	H 	2,30 3,00
B	HB 	4,00
B	LM 	3,00



Technical Data

Recommended minimum centers:	4,00 mm
Recommended working stroke:	4,00 mm
Maximum stroke:	5,30 mm
Current rating:	30,0 A
Typical contact resistance:	<10 m Ω
Operating temperature range:	-50° up to +100°

Materials

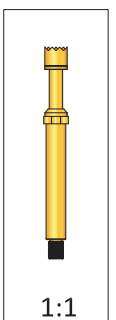
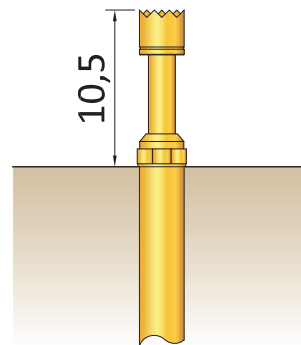
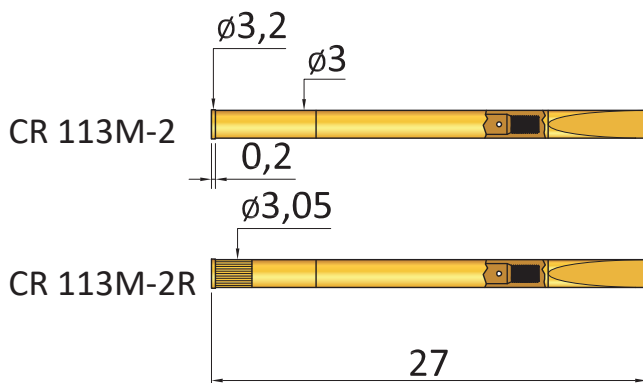
Plunger:	BeCu, gold plated
Barrel:	Brass, gold plated
Spring:	Music wire, gold plated
Receptacle:	Brass, gold plated

Spring Force (g $\pm 20\%$)

Spring force:	150 g
Alternative:	200 g
	300 g
	500 g

Hole size for receptacle

Drills: $\phi 3,00$ - $\phi 3,02$



Ordering example:

Series	Tip ϕ mm	Spring Force			
HC 120M	HB	396	396	200	G
	Tip Style	Material			Plating
		B=BeCu S=Steel			G=Gold