


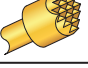



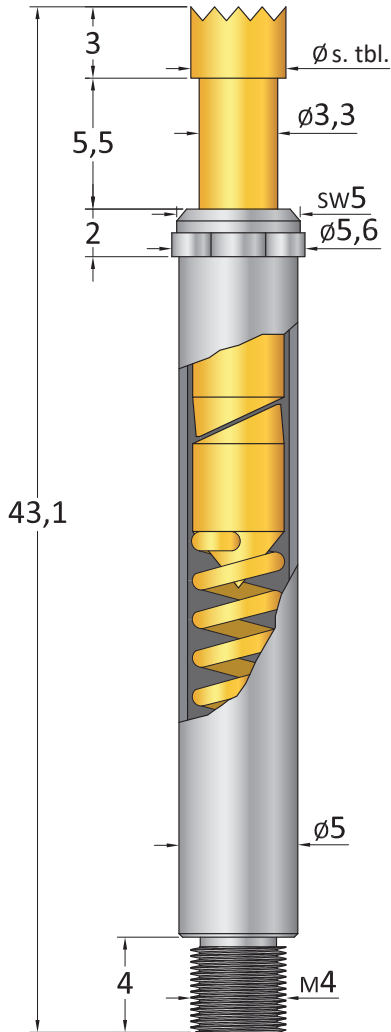
HC 621M

High Current Probes $\geq 6,35$ mm / ≥ 250 mil

Available Tip Styles

| Material | Tip Style | ϕ mm |
|----------|---|--------------|
| B | F  | 4,00 5,00 |
| B | D  | 4,00 |
| B | H  | 4,00 5,00 |
| B | HB  | 5,00 6,50 |
| B | DS*  | 4,00 |

*pressed-in silver stud



Technical Data

| | |
|------------------------------|------------------|
| Recommended minimum centers: | 6,35 mm |
| Recommended working stroke: | 4,40 mm |
| Maximum stroke: | 5,50 mm |
| Current rating: | 75,0 A |
| Typical contact resistance: | <10 m Ω |
| Operating temperature range: | -50° up to +100° |

Materials

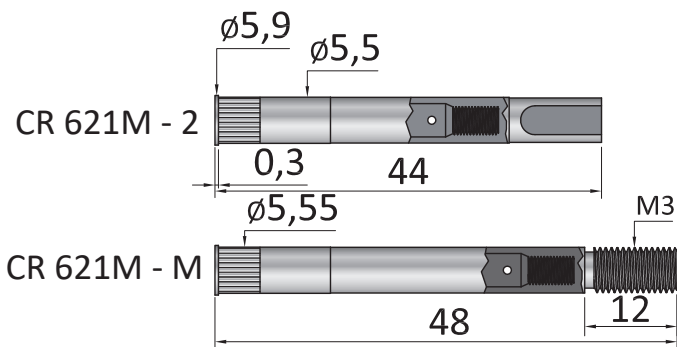
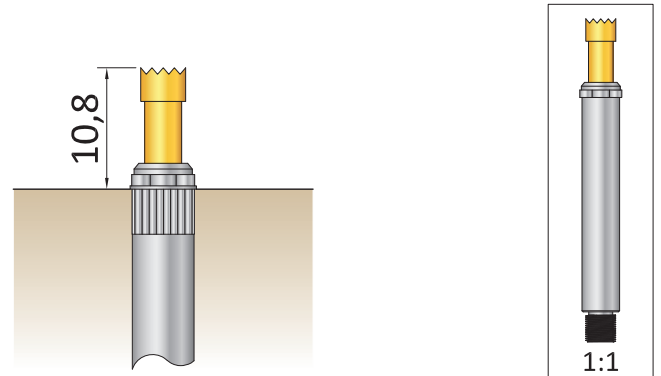
| | |
|-------------|-------------------------|
| Plunger: | BeCu, gold plated |
| Barrel: | Brass, silver plated |
| Spring: | Music wire, gold plated |
| Receptacle: | Brass, silver plated |

Spring Force (g $\pm 20\%$)

| | |
|---------------|--------|
| Spring force: | 500 g |
| Alternative: | 1000 g |

Hole size for receptacle

Drills: $\phi 5,52 - \phi 5,54$



Ordering example:

| Series | Tip ϕ mm | Spring Force | | |
|---------|---------------|--------------|--------------------|-------------------|
| HC 621M | H | 400 | B | 500 |
| | Tip Style | | Material B=BeCu | Plating G=Gold |