





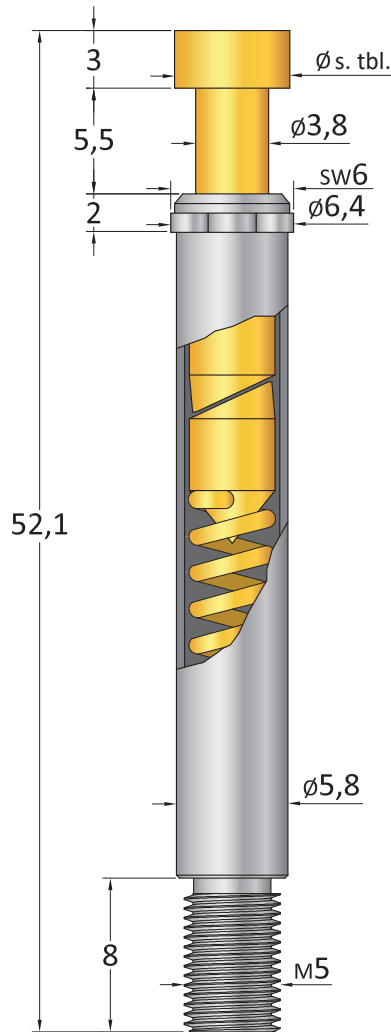
HC 623M

High Current Probes $\geq 7,60$ mm / ≥ 300 mil

Available Tip Styles

Material	Tip Style	ϕ mm
B	F 	6,00
B	D 	6,00
B	HB 	6,00
B	DS* 	6,00

*pressed-in silver stud



Technical Data

Recommended minimum centers:	7,60 mm
Recommended working stroke:	4,40 mm
Maximum stroke:	5,50 mm
Current rating:	100,0 A
Typical contact resistance:	<10 m Ω
Operating temperature range:	-50° up to +100°

Materials

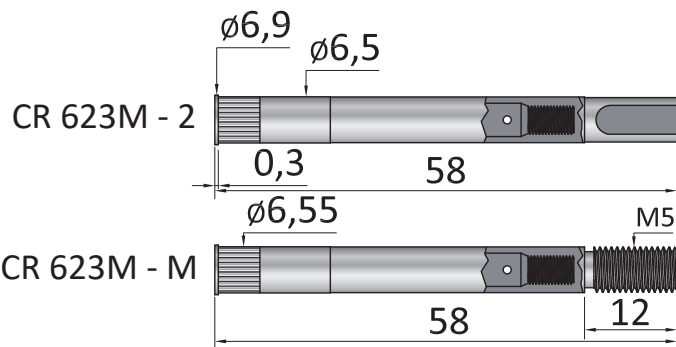
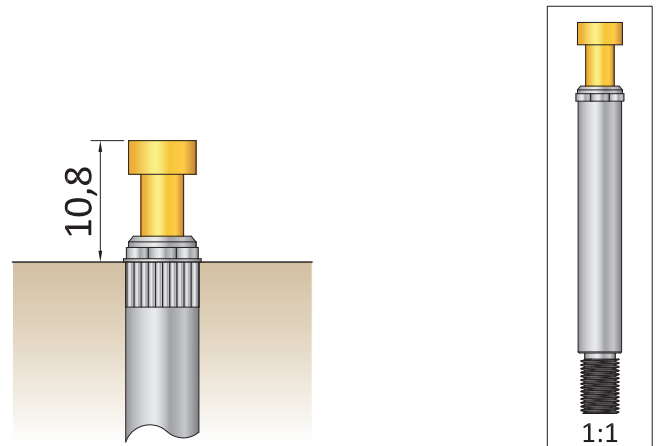
Plunger:	BeCu, gold plated
Barrel:	Brass, silver plated
Spring:	Music wire, gold plated
Receptacle:	Brass, silver plated

Spring Force (g $\pm 20\%$)

Spring force:	700 g
Alternative:	500 g
	1000 g
	1500 g

Hole size for receptacle

Drills: $\phi 6,52 - \phi 6,54$



Series	Tip ϕ mm	Spring Force	Material	Plating
HC 623M	F	600	B	G
	Tip Style		B=BeCu	G=Gold