

# HIGH CURRENT PROBES

## HCF725

50 A | 197 mil | Threaded



### Electrical specifications

Temperature [°C]	-45°...+200°
Current [A]	50
R <sub>TYP</sub> [mOhm]	<5

### Mechanical specifications

Preload [cN]	100
Spring force [cN] at nt ±20%	250
Nominal travel [mm]	2.0
Maximum travel [mm]	2.5

### Materials and plating

Plunger	BeCu	gold plated
Barrel	Brass	gold plated
Spring	Stainless steel	unplated
Receptacle	Brass	gold plated

### Accessories

1031263	H725LARD	Receptacle
1005027	FEWZ-735E0	Insertion tool receptacle
1005063	FWZ735	Insertion tool probe
1009775	FWZ735T	Insertion tool probe

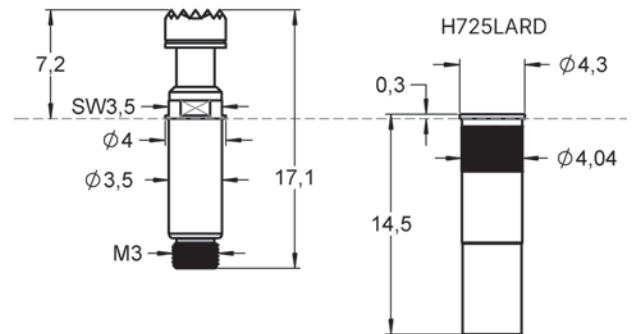
### Drill size recommendation (mm)

1031263	H725LARD	3.98 - 3.99
---------	----------	-------------

Order code	Product name	Tip Style	Tip Ø [mm]	Material/Plating	Force [cN]	Thread [M]	Version	FM Choice
1029512	HCF72506B400G250	06 	4.00	B / G	250	M3	-	-
1029513	HCF72512B400G250	12 	4.00	B / G	250	M3	-	-
1029514	HCF72514B400G250	14 	4.00	B / G	250	M3	-	-

### Series drawing

All measurements are in mm.



### Thermal Rise of Contact Probe vs. Current

