

# HIGH CURRENT PROBES

## HCF772

20 A | 100 mil | Threaded



### Electrical specifications

Temperature [°C]	-45°...+200°	
Current [A]	20	
R <sub>TYP</sub> [mOhm]	<10	

### Mechanical specifications

Preload [cN]	50	50
Spring force [cN] at nt ±20%	150	300
Nominal travel [mm]	4.0	4.0
Maximum travel [mm]	5.0	5.0

### Materials and plating

Plunger	BeCu	gold plated
	Silver	unplated
Barrel	Brass	gold plated
Spring	Stainless steel	unplated
Receptacle	Brass	gold plated

### Accessories

1007939	H772LAHC	Receptacle
1003640	FEWZ-772E0	Insertion tool receptacle
1003566	FDWZ-100	Insertion tool probe

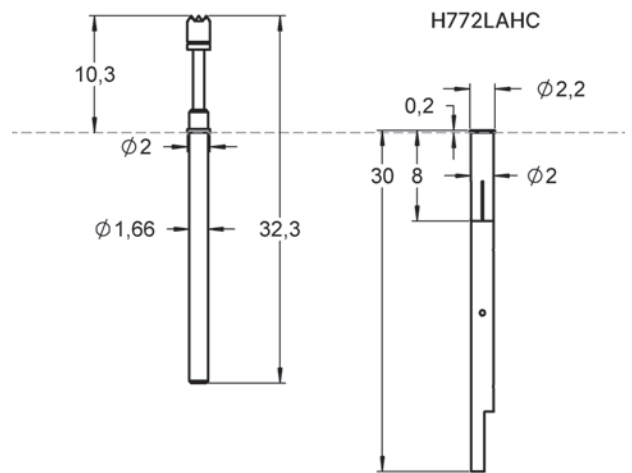
### Drill size recommendation (mm)

1007939	H772LAHC	1.99 - 2.00
---------	----------	-------------

Order code	Product name	Tip Style	Tip Ø [mm]	Material/Plating	Force [cN]	Thread [M]	Version	FM Choice
1005045	HCF77206B200G300	06 	2.00	B / G	300	-	-	-
1011973	HCF77207B200G300	07 	2.00	B / G	300	-	-	-
1007945	HCF77214B130G300	14 	1.30	B / G	300	-	-	-
1013176	HCF77246B200G300	46 	2.00	B / G	300	-	-	-

### Series drawing

All measurements are in mm.



### Thermal Rise of Contact Probe vs. Current

