

# HIGH CURRENT PROBES



## HCF775

50 A | 197 mil | Pluggable

### Electrical specifications

Temperature [°C]	-45°...+200°
Current [A]	50
R <sub>TYP</sub> [mOhm]	<5

### Mechanical specifications

Preload [cN]	150	150	500
Spring force [cN] at nt ±20%	300	500	1000
Nominal travel [mm]	4.4	4.4	4.4
Maximum travel [mm]	5.5	5.5	5.5

### Materials and plating

Plunger	BeCu	gold plated
Barrel	Brass	gold plated
	Brass	silver plated (AC)
Spring	Stainless steel	unplated
Receptacle	Brass	gold plated

### Accessories

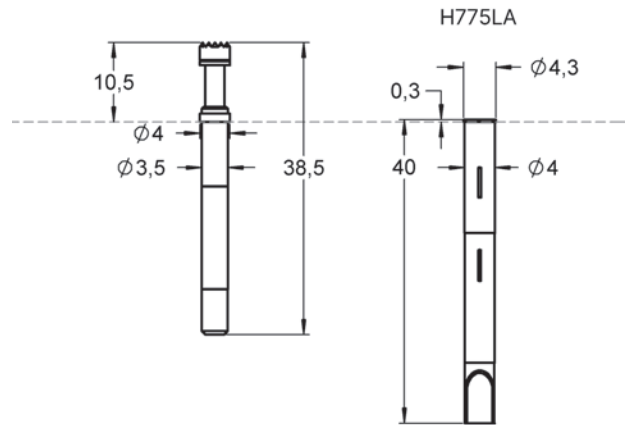
1005064	H775LA	Receptacle
1005027	FEWZ-735E0	Insertion tool receptacle

### Drill size recommendation (mm)

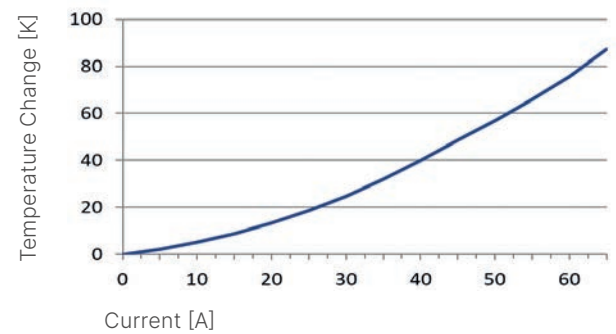
1005064	H775LA	3.98 - 3.99
---------	--------	-------------

### Series drawing

All measurements are in mm.



### Thermal Rise of Contact Probe vs. Current



Order code	Product name	Tip Style	Tip Ø [mm]	Material/Plating	Force [cN]	Thread [M]	Version	FM Choice
1021669	HCF77504B300G1000	04	3.00	B / G	1000	-	-	-
1005050	HCF77506B400G300A	12	4.00	B / G	300	-	A	-
1030816	HCF77512A300U500HP	12	3.00	A / U	1000	-	HP	-
1005051	HCF77517B400G300	17	4.00	B / G	300	-	-	-