



Radio Frequency Probes

HF66-0018

Item number 1039136

General

Design	Coaxial Probe
Type/family	HF66
Pitch (mm/mil)	9,00 / 354
Temperature [C°]	-45°C...+100°C

Electrical specifications

Continuous current (A)	0.50
Impedance (ohm)	50.00
Frequency (GHz)	18.00
Continuous current 2 (A)	0.10

Inner contact specifications

Nominal travel 2 (mm)	0.50
Maximum travel 2 (mm)	0.80
Preload 2 (cN)	95.00
Spring force 2 (cN)	120.00

Mechanical specifications

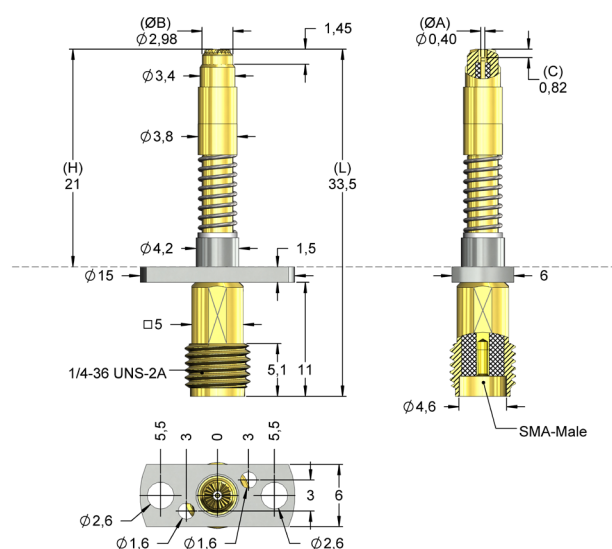
Preload (cN)	240.00
Spring force (cN)	360.00
Nominal travel (mm)	2.00
Maximum travel (mm)	3.00
Tool size (mm)	5,0
DUT	SMP-Male

Dimensions

Total length (mm)	33.50
Projection height (mm)	21.00
Tip style diameter (mm)	2.98
Barrel diameter (mm)	4.20
Collar diameter (mm)	15.00
Press ring diameter (mm)	15.00
Inside/outside distance (mm)	0.82
Tip style diameter 2 (mm)	0.40

Family drawing

All measurements are in mm.



Materials & surfaces

Tip style	09
Tip style 2	16
Tip style material	Beryllium cooper
Tip style plating	Gold
Plunger material	Cooper
Plunger plating	Gold
Barrel material	Beryllium cooper
Barrel plating	Gold
Spring material	High-grade steel
Spring plating	Uncoated
Plunger material 2	Beryllium cooper
Plunger plating 2	Gold
Spring material 2	Spring steel
Spring plating 2	Gold