



HF77

20 GHz | H-MTD Female 1-fold

Electrical specifications

Temperature [°C]	-45°...+100°
Current INTERNAL [A]	1.0
Current CIRCULAR [A]	1.0
Impedance [Ohm]	100
Frequency [GHz]	20

Mechanical specifications

	2x SIGNAL	1x GROUND
Preload (cN)	130	470
Spring force at nt (cN ±20%)	195	630
Nominal travel (mm)	0.9	2.5
Maximum travel (mm)	1.2	3.5

Materials and plating

Contact SIGNAL	BeCu	gold plated
Contact GROUND	BeCu	gold plated
Barrel	Brass	gold plated
Spring SIGNAL	Spring steel	gold plated
Spring GROUND	Spring steel	gold plated
Flange	Brass	nickel plated

Accessories

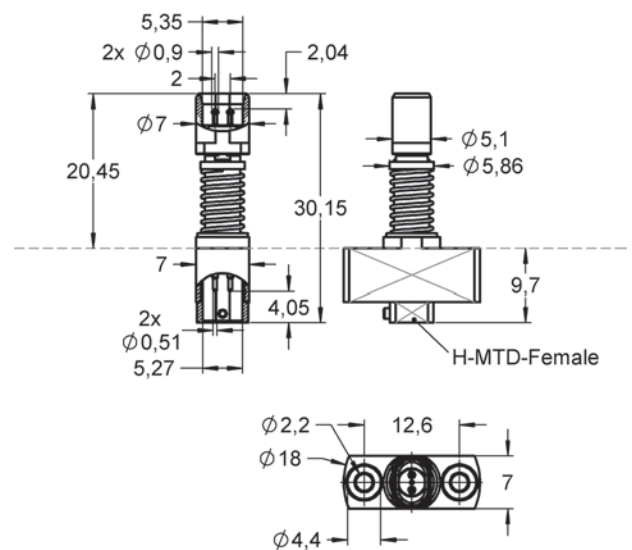
1104597	F07702B090G195	Inner pin
1035933	FZWZ-005	Assembly tool
Interface	H-MTD Female	see page 128

Order code Product name

1104600	HF77HMTDf0120G1020HMTDmF
---------	--------------------------

Series drawing

All measurements are in mm.





HF77

20 GHz | H-MTD Female 2-fold

Electrical specifications

Temperature [°C]	-45°...+100°
Current INTERNAL [A]	1.0
Current CIRCULAR [A]	1.0
Impedance [Ohm]	100
Frequency [GHz]	20

Mechanical specifications

	4x SIGNAL	2x GROUND
Preload (cN)	130	470
Spring force at nt (cN ±20%)	195	630
Nominal travel (mm)	0.9	2.5
Maximum travel (mm)	1.2	3.5

Materials and plating

Contact SIGNAL	BeCu	gold plated
Contact GROUND	BeCu	gold plated
Barrel	Brass	gold plated
Spring SIGNAL	Spring steel	gold plated
Spring GROUND	Spring steel	gold plated
Flange	Brass	nickel plated

Accessories

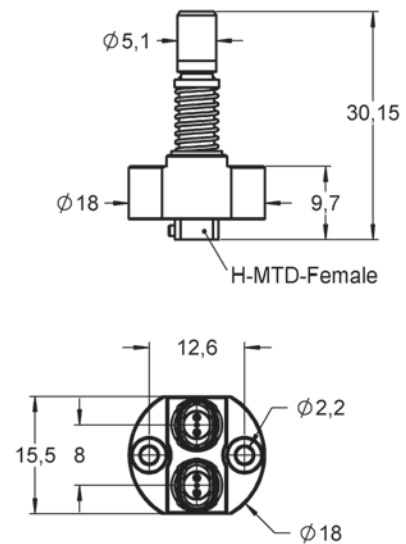
1104597	F07702B090G195	Inner pin
1035933	FZWZ-005	Assembly tool
Interface	H-MTD Female	see page 128

Order code Product name

1110046	HF77HMTDf0220G2040HMTDmF
---------	--------------------------

Series drawing

All measurements are in mm.



HF77

20 GHz | H-MTD Female 4-fold



Electrical specifications

Temperature [°C]	-45°...+100°
Current INTERNAL [A]	1.0
Current CIRCULAR [A]	1.0
Impedance [Ohm]	100
Frequency [GHz]	20

Mechanical specifications

	8x SIGNAL	4x GROUND
Preload (cN)	130	470
Spring force at nt (cN ±20%)	195	630
Nominal travel (mm)	0.9	2.5
Maximum travel (mm)	1.2	3.5

Materials and plating

Contact SIGNAL	BeCu	gold plated
Contact GROUND	BeCu	gold plated
Barrel	Brass	gold plated
Spring SIGNAL	Spring steel	gold plated
Spring GROUND	Spring steel	gold plated
Flange	Brass	nickel plated

Accessories

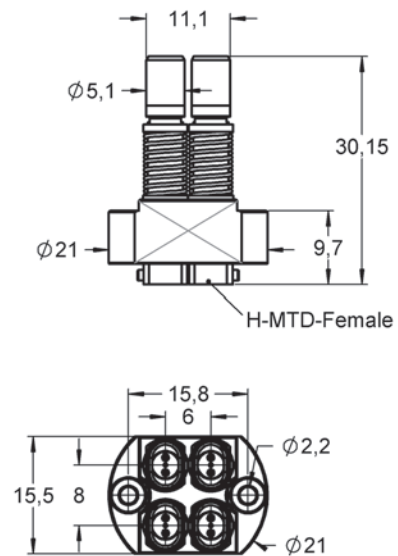
1104597	F07702B090G195	Inner pin
1035933	FZWZ-005	Assembly tool
Interface	H-MTD Female	see page 128

Order code Product name

1110047	HF77HMTDf0420G4080HMTDmF
---------	--------------------------

Series drawing

All measurements are in mm.



HF77

14 GHz | H-MTD Male 1-fold
or GEMnet



Electrical specifications

Temperature [°C]	-45°...+100°
Current INTERNAL [A]	1.0
Current CIRCULAR [A]	1.0
Impedance [Ohm]	100
Frequency [GHz]	14

Mechanical specifications

	2x SIGNAL	1x GROUND
Preload (cN)	130	470
Spring force at nt (cN ±20%)	195	630
Nominal travel (mm)	0.9	2.5
Maximum travel (mm)	1.2	3.5

Materials and plating

Contact SIGNAL	BeCu	gold plated
Contact GROUND	Brass	unplated
Barrel	Brass	gold plated
Spring SIGNAL	Spring steel	gold plated
Spring GROUND	Spring steel	gold plated
Flange	Brass	nickel plated

Accessories

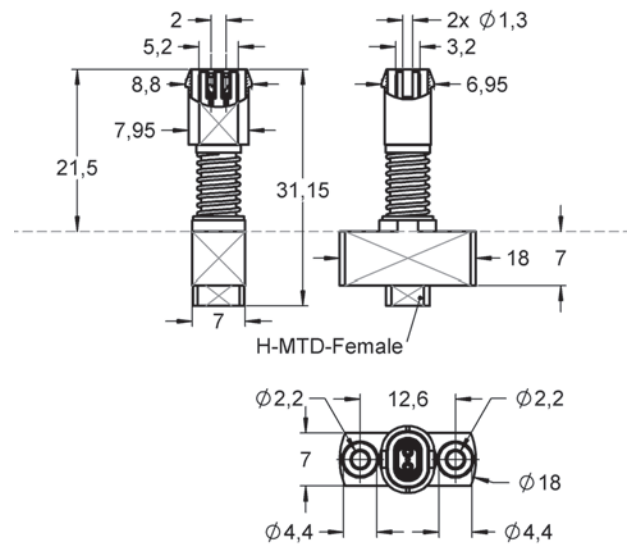
1053952	F07751B130G195	Inner pin
1035933	FZWZ-005	Assembly tool
Interface	H-MTD Female	see page 128

Order code Product name

1051338	HF77HMTDm0114G1020HMTDmF
---------	--------------------------

Series drawing

All measurements are in mm.





HF77

14 GHz | H-MTD Male 2-fold
or GEMnet

Electrical specifications

Temperature [°C]	-45°...+100°
Current INTERNAL [A]	1.0
Current CIRCULAR [A]	1.0
Impedance [Ohm]	100
Frequency [GHz]	14

Mechanical specifications

	4x SIGNAL	2x GROUND
Preload (cN)	130	470
Spring force at nt (cN ±20%)	195	630
Nominal travel (mm)	0.9	2.5
Maximum travel (mm)	1.2	3.5

Materials and plating

Contact SIGNAL	BeCu	gold plated
Contact GROUND	Brass	unplated
Barrel	Brass	gold plated
Spring SIGNAL	Spring steel	gold plated
Spring GROUND	Spring steel	gold plated
Flange	Brass	nickel plated

Accessories

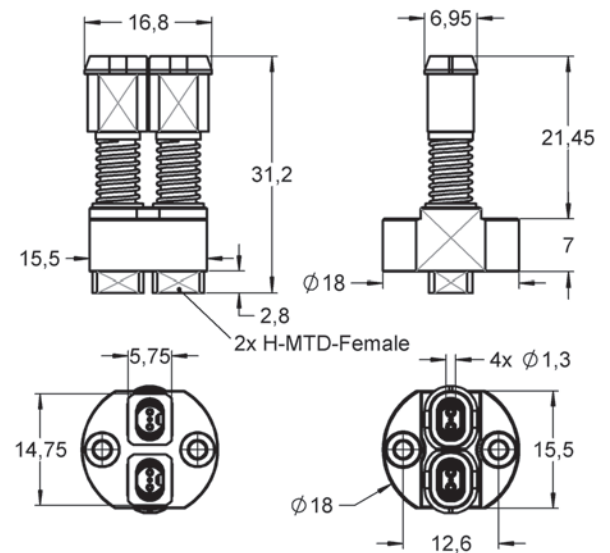
1053952	F07751B130G195	Inner pin
1035933	FZWZ-005	Assembly tool
Interface	H-MTD Female	see page 128

Order code Product name

1082740	HF77HMTDm0214G2040HMTDmFV01
---------	-----------------------------

Series drawing

All measurements are in mm.





HF77

14 GHz | H-MTD Male 4-fold
or GEMnet

Electrical specifications

Temperature [°C]	-45°...+100°
Current INTERNAL [A]	1.0
Current CIRCULAR [A]	1.0
Impedance [Ohm]	100
Frequency [GHz]	14

Mechanical specifications

	8x SIGNAL	4x GROUND
Preload (cN)	130	470
Spring force at nt (cN ±20%)	195	630
Nominal travel (mm)	0.9	2.5
Maximum travel (mm)	1.2	3.5

Materials and plating

Contact SIGNAL	BeCu	gold plated
Contact GROUND	Brass	unplated
Barrel	Brass	gold plated
Spring SIGNAL	Spring steel	gold plated
Spring GROUND	Spring steel	gold plated
Flange	Brass	nickel plated

Accessories

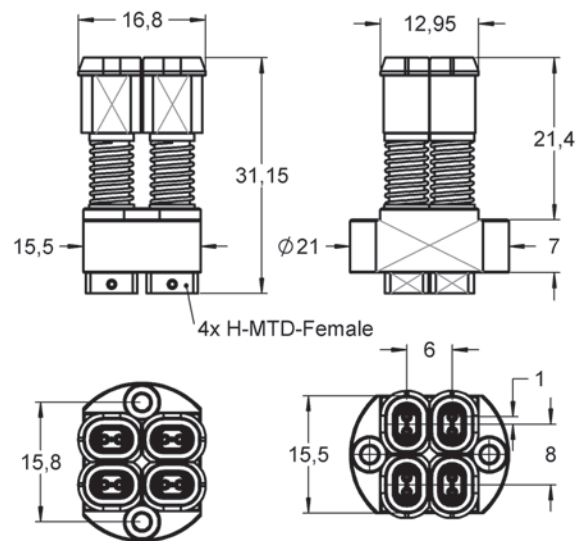
1053952	F07751B130G195	Inner pin
1035933	FZWZ-005	Assembly tool
Interface	H-MTD Female	see page 128

Order code Product name

1050859	HF77HMTDm0414G4080HMTDmF
---------	--------------------------

Series drawing

All measurements are in mm.





HF77

14 GHz | H-MTD Male 6-fold
or GEMnet

Electrical specifications

Temperature [°C]	-45°...+100°
Current INTERNAL [A]	1.0
Current CIRCULAR [A]	1.0
Impedance [Ohm]	100
Frequency [GHz]	14

Mechanical specifications

	12x SIGNAL	6x GROUND
Preload (cN)	130	470
Spring force at nt (cN ±20%)	195	630
Nominal travel (mm)	0.9	2.5
Maximum travel (mm)	1.2	3.5

Materials and plating

Contact SIGNAL	BeCu	gold plated
Contact GROUND	Brass	unplated
Barrel	Brass	gold plated
Spring SIGNAL	Spring steel	gold plated
Spring GROUND	Spring steel	gold plated
Flange	Brass	nickel plated

Accessories

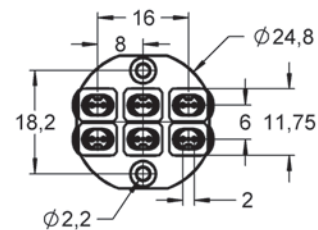
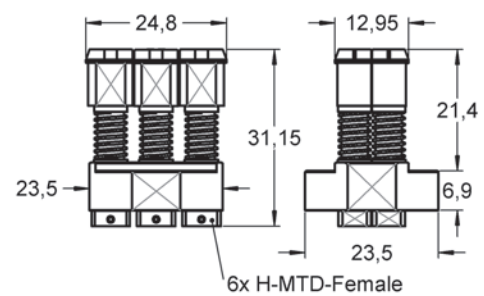
1053952	F07751B130G195	Inner pin
1035933	FZWZ-005	Assembly tool
Interface	H-MTD Female	see page 128

Order code Product name

1119247	HF77HMTDm0614G6120HMTDmF
---------	--------------------------

Series drawing

All measurements are in mm.





HF77

14 GHz | H-MTD 1-fold | Water proof

Electrical specifications

Temperature [°C]	-45°...+100°
Current INTERNAL [A]	1.0
Current CIRCULAR [A]	1.0
Impedance [Ohm]	100
Frequency [GHz]	14

Mechanical specifications

	2x SIGNAL	1x GROUND
Preload (cN)	130	470
Spring force at nt (cN ±20%)	195	630
Nominal travel (mm)	0.9	2.5
Maximum travel (mm)	1.2	3.5

Materials and plating

Contact SIGNAL	BeCu	gold plated
Contact GROUND	BeCu	gold plated
Barrel	Brass	gold plated
Spring SIGNAL	Spring steel	gold plated
Spring GROUND	Stainless steel	gold plated
Flange	Brass	nickel plated

Accessories

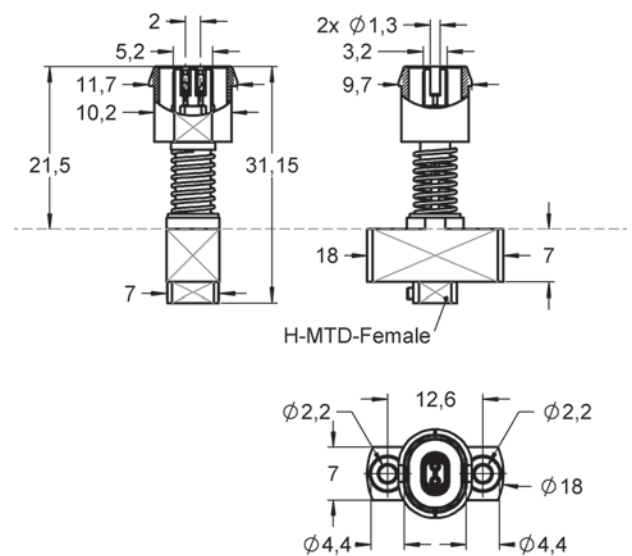
1053952	F07751B130G195	Inner pin
1035933	FZWZ-005	Assembly tool
Interface	H-MTD Female	see page 128

Order code Product name

1089316	HF77HMTDm0114G1020HMTDmFWP
---------	----------------------------

Series drawing

All measurements are in mm.



HF77

14 GHz | H-MTD Male 2-fold
| Water proof



Electrical specifications

Temperature [°C]	-45°...+100°
Current INTERNAL [A]	1.0
Current CIRCULAR [A]	1.2
Impedance [Ohm]	100
Frequency [GHz]	14

Mechanical specifications

	4x SIGNAL	2x GROUND
Preload (cN)	130	470
Spring force at nt (cN ±20%)	195	630
Nominal travel (mm)	0.9	2.5
Maximum travel (mm)	1.2	3.5

Materials and plating

Contact SIGNAL	BeCu	gold plated
Contact GROUND	Brass	unplated
Barrel	Brass	gold plated
Spring SIGNAL	Spring steel	gold plated
Spring GROUND	Spring steel	gold plated
Flange	Brass	nickel plated

Accessories

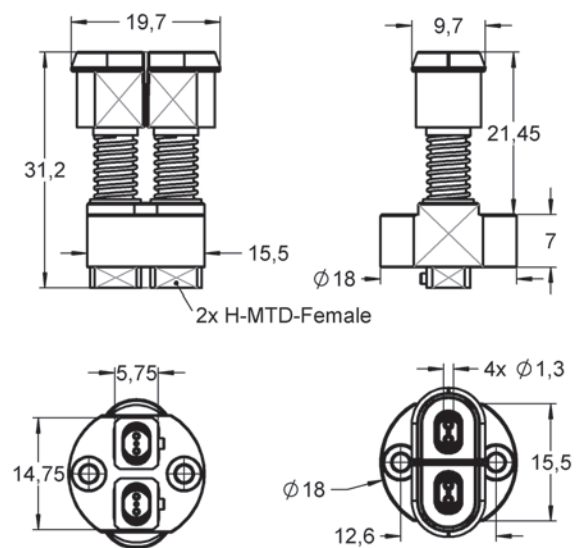
1053952	F07751B130G195	Inner pin
1035933	FZWZ-005	Assembly tool
Interface	H-MTD Female	see page 128

Order code Product name

1089789	HF77HMTDm0214G2040HMTDmFWP
---------	----------------------------

Series drawing

All measurements are in mm.





HF77

14 GHz | H-MTD Male 4-fold
| Water proof

Electrical specifications

Temperature [°C]	-45°...+100°
Current INTERNAL [A]	1.0
Current CIRCULAR [A]	1.0
Impedance [Ohm]	100
Frequency [GHz]	14

Mechanical specifications

	8x SIGNAL	4x GROUND
Preload (cN)	130	470
Spring force at nt (cN ±20%)	195	630
Nominal travel (mm)	0.9	2.5
Maximum travel (mm)	1.2	3.5

Materials and plating

Contact SIGNAL	BeCu	gold plated
Contact GROUND	BeCu	gold plated
Barrel	Brass	gold plated
Spring SIGNAL	Spring steel	gold plated
Spring GROUND	Stainless steel	gold plated
Flange	Brass	nickel plated

Accessories

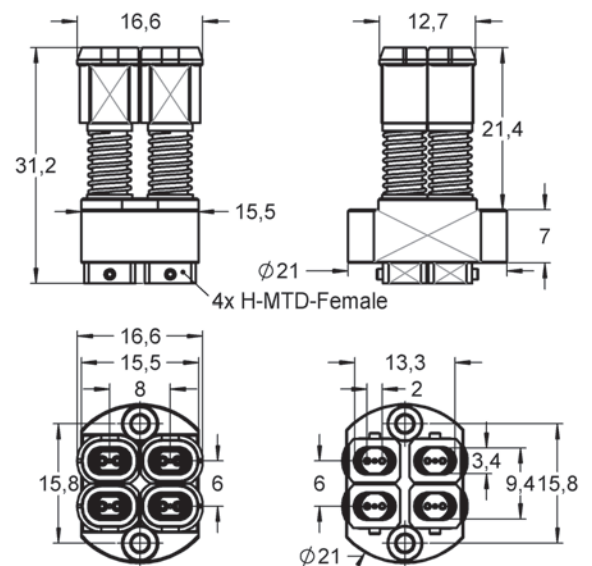
1053952	F07751B130G195	Inner pin
1035933	FZWZ-005	Assembly tool
Interface	H-MTD Female	see page 128

Order code Product name

1089897	HF77HMTDm0414G4080HMTDmFWP
---------	----------------------------

Series drawing

All measurements are in mm.





HF77

12 GHz | HFM Female 1-fold

Electrical specifications

Temperature [°C]	-45°...+100°
Current INTERNAL [A]	1.0
Current CIRCULAR [A]	1.0
Impedance [Ohm]	50
Frequency [GHz]	12

Mechanical specifications

	SIGNAL	GROUND
Preload (cN)	95	130
Spring force at nt (cN ±20%)	120	420
Nominal travel (mm)	0.5	3.0
Maximum travel (mm)	1.8	3.8

Materials and plating

Contact SIGNAL	BeCu	gold plated
Contact GROUND	BeCu	gold plated
Barrel	Brass	gold plated
Spring SIGNAL	Spring steel	gold plated
Spring GROUND	Stainless steel	unplated
Flange	Brass	nickel plated

Accessories

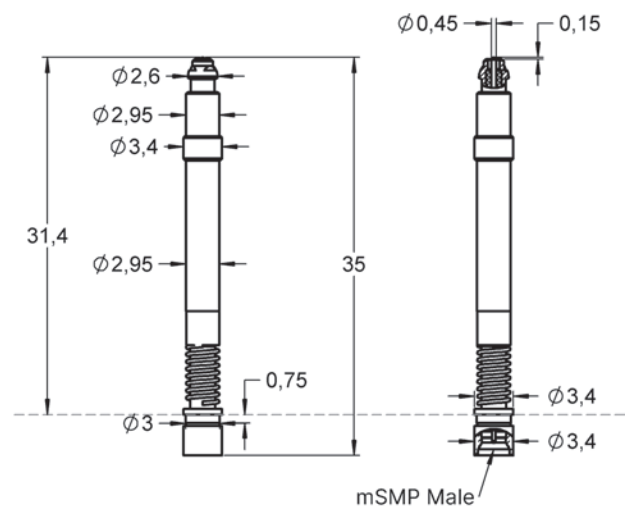
Interface	mSMP Male	see page 128
-----------	-----------	--------------

Order code Product name

1051683	HF77HFMf0112G540MSMpmP
---------	------------------------

Series drawing

All measurements are in mm.





HF77

12 GHz | HFM Female 1-fold

Electrical specifications

Temperature [°C]	-45°...+100°
Current INTERNAL [A]	1.0
Current CIRCULAR [A]	1.0
Impedance [Ohm]	50
Frequency [GHz]	12

Mechanical specifications

	SIGNAL	GROUND
Preload (cN)	95	130
Spring force at nt (cN ±20%)	120	420
Nominal travel (mm)	0.5	3.0
Maximum travel (mm)	1.8	3.8

Materials and plating

Contact SIGNAL	BeCu	gold plated
Contact GROUND	BeCu	gold plated
Barrel	Brass	gold plated
Spring SIGNAL	Spring steel	gold plated
Spring GROUND	Stainless steel	unplated
Flange	Brass	nickel plated

Accessories

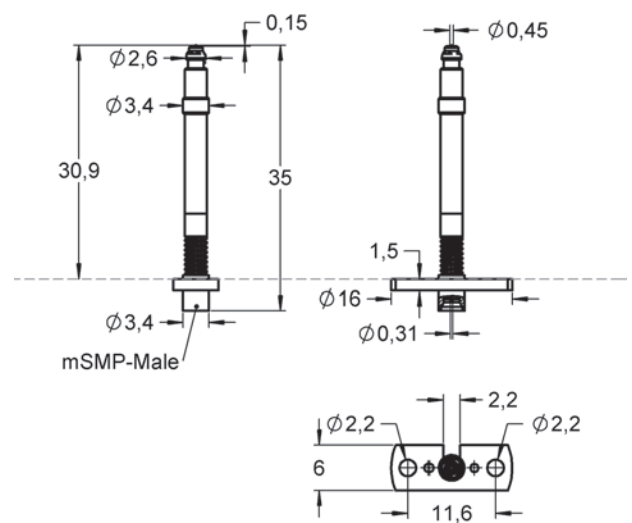
1051683	HF77HFMf0112G540MSMPmP	
1031897	FZWZ-001	Assembly tool
Interface	mSMP Male	see page 128

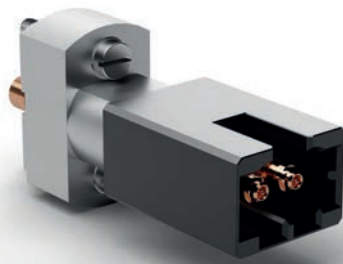
Order code Product name

1051503	HF77HFMf0112G540MSMPmF
---------	------------------------

Series drawing

All measurements are in mm.





HF77

12 GHz | HFM Female 2-fold

Electrical specifications

Temperature [°C]	-45°...+100°
Current INTERNAL [A]	1.0
Current CIRCULAR [A]	1.0
Impedance [Ohm]	50
Frequency [GHz]	12

Mechanical specifications

	2x SIGNAL	1x GROUND
Preload (cN)	95	130
Spring force at nt (cN ±20%)	120	420
Nominal travel (mm)	0.5	3.0
Maximum travel (mm)	1.8	3.8

Materials and plating

Contact SIGNAL	BeCu	gold plated
Contact GROUND	BeCu	gold plated
Barrel	Brass	gold plated
Spring SIGNAL	Spring steel	gold plated
Spring GROUND	Stainless steel	unplated
Flange	Brass	nickel plated

Accessories

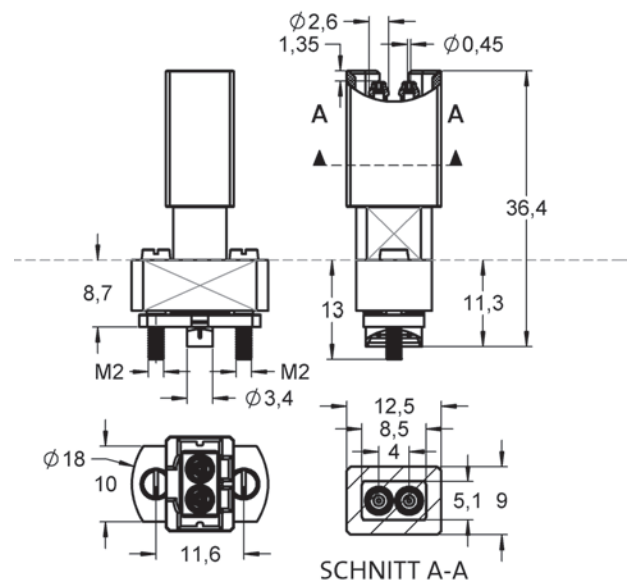
1051683	HF77HFMf0112G540MSMPmP	
1031897	FZWZ-001	Assembly tool
Interface	mSMP Male	see page 128

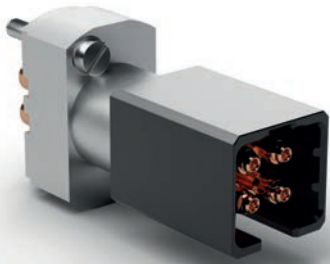
Order code Product name

1114067	HF77HFMf0212G1080MSMPmF
---------	-------------------------

Series drawing

All measurements are in mm.





HF77

12 GHz | HFM Female 4-fold

Electrical specifications

Temperature [°C]	-45°...+100°
Current INTERNAL [A]	1.0
Current CIRCULAR [A]	1.0
Impedance [Ohm]	50
Frequency [GHz]	12

Mechanical specifications

	4x SIGNAL	1x GROUND
Preload (cN)	95	130
Spring force at nt (cN ±20%)	120	420
Nominal travel (mm)	0.5	3.0
Maximum travel (mm)	1.8	3.8

Materials and plating

Contact SIGNAL	BeCu	gold plated
Contact GROUND	BeCu	gold plated
Barrel	Brass	gold plated
Spring SIGNAL	Spring steel	gold plated
Spring GROUND	Stainless steel	unplated
Flange	Brass	nickel plated

Accessories

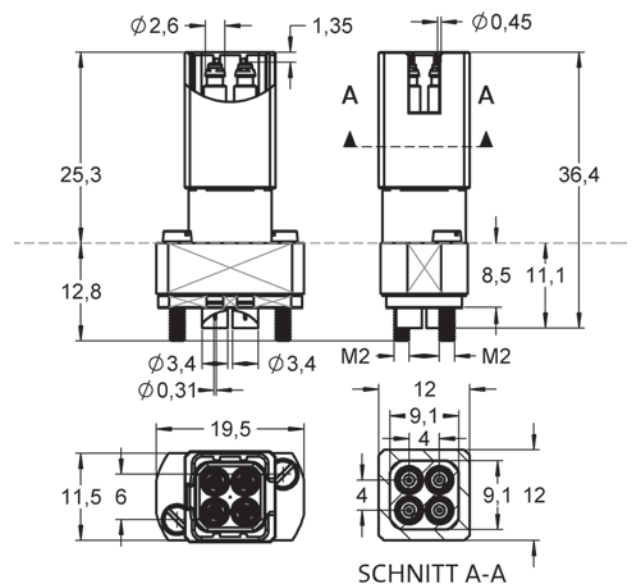
1051683	HF77HFMf0112G540MSMPmP	
1031897	FZWZ-001	Assembly tool
Interface	mSMP Male	see page 128

Order code Product name

1050858	HF77HFMf0412G2160MSMPmF
---------	-------------------------

Series drawing

All measurements are in mm.





HF77

12 GHz | HFM Male 1-fold

Electrical specifications

Temperature [°C]	-45°...+100°
Current INTERNAL [A]	0.1
Current CIRCULAR [A]	0.5
Impedance [Ohm]	50
Frequency [GHz]	12

Mechanical specifications

	SIGNAL	GROUND
Preload (cN)	95	230
Spring force at nt (cN ±20%)	120	420
Nominal travel (mm)	0.5	2.0
Maximum travel (mm)	1.8	2.8

Materials and plating

Contact SIGNAL	BeCu	gold plated
Contact GROUND	BeCu	gold plated
Barrel	Brass	gold plated
Spring SIGNAL	Spring steel	gold plated
Spring GROUND	Stainless steel	unplated
Flange	Brass	nickel plated

Accessories

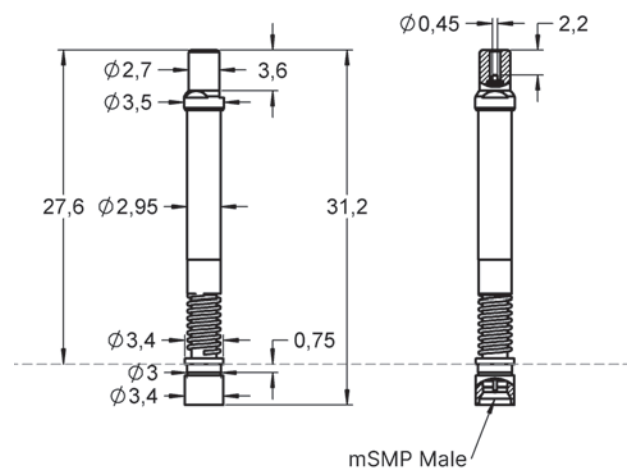
Interface	mSMP Male	see page 128
-----------	-----------	--------------

Order code Product name

1034900	HF77HFMm0112G540MSMPmP
---------	------------------------

Series drawing

All measurements are in mm.



Radio Frequency performance

Typical insertion loss	DC	6 GHz
	up to 6 GHz	up to 12 GHz
Maximum	0.15 dB	0.37 dB
Typical return loss	DC	6 GHz
	up to 6 GHz	up to 12 GHz
Minimum	40 dB	15 dB

This table shows the reference values in the middle and at the end of the recommended frequency.



HF77

12 GHz | HFM Male 1-fold

Electrical specifications

Temperature [°C]	-45°...+100°
Current INTERNAL [A]	0.1
Current CIRCULAR [A]	0.5
Impedance [Ohm]	50
Frequency [GHz]	12

Mechanical specifications

	SIGNAL	GROUND
Preload (cN)	95	230
Spring force at nt (cN ±20%)	120	420
Nominal travel (mm)	0.5	2.0
Maximum travel (mm)	0.8	2.8

Materials and plating

Contact SIGNAL	BeCu	gold plated
Contact GROUND	BeCu	gold plated
Barrel	Brass	gold plated
Spring SIGNAL	Spring steel	gold plated
Spring GROUND	Stainless steel	unplated
Flange	Brass	nickel plated

Accessories

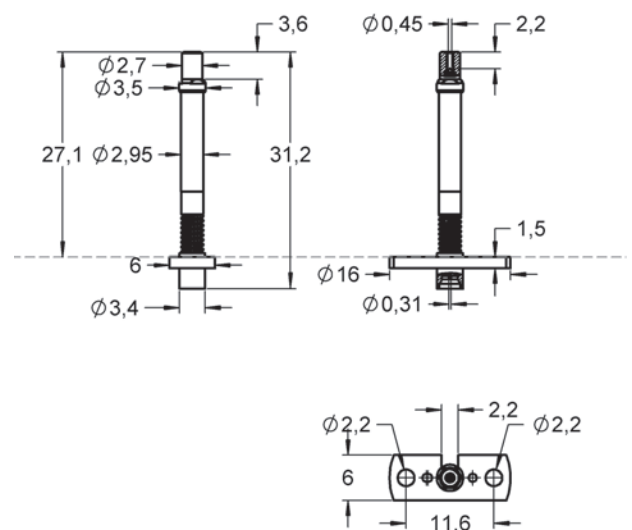
1034900	HF77HFMm0112G540MSMPmP	
1031897	FZWZ-001	Assembly tool
Interface	mSMP Male	see page 128

Order code Product name

1036171	HF77HFMm0112G540MSMPmFV01
---------	---------------------------

Series drawing

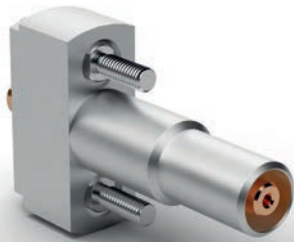
All measurements are in mm.



Radio Frequency performance

Typical insertion loss	DC up to 6 GHz	6 GHz up to 12 GHz
Maximum	0.15 dB	0.37 dB
Typical return loss	DC up to 6 GHz	6 GHz up to 12 GHz
Minimum	40 dB	15 dB

This table shows the reference values in the middle and at the end of the recommended frequency.



HF77

12 GHz | HFM Male 1-fold

Electrical specifications

Temperature [°C]	-45°...+100°	
Current INTERNAL [A]	0.1	
Current CIRCULAR [A]	0.5	
Impedance [Ohm]	50	
Frequency [GHz]	12	

Mechanical specifications

	SIGNAL	GROUND
Preload (cN)	95	230
Spring force at nt (cN ±20%)	120	420
Nominal travel (mm)	0.5	2.0
Maximum travel (mm)	0.8	2.8

Materials and plating

Contact SIGNAL	BeCu	gold plated
Contact GROUND	BeCu	gold plated
Barrel	Brass	gold plated
Spring SIGNAL	Spring steel	gold plated
Spring GROUND	Stainless steel	unplated
Flange	Brass	nickel plated

Accessories

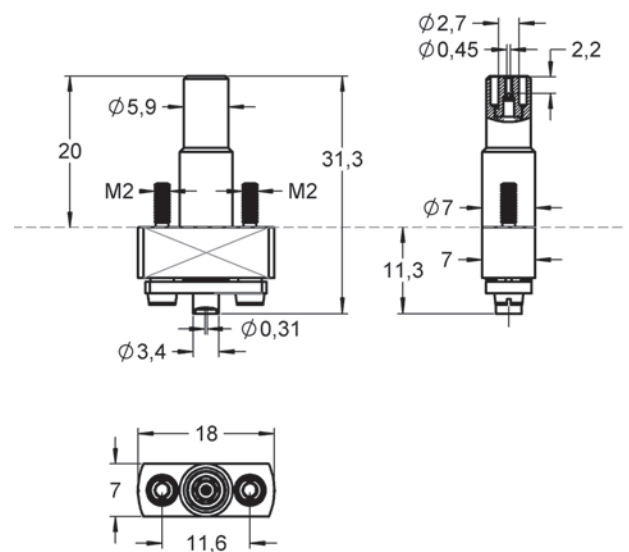
1034900	HF77HFMm0112G540MSMPmP	
1031897	FZWZ-001	Assembly tool
Interface	mSMP Male	see page 128

Order code Product name

1105444	HF77HFMm0112G540MSMPmFV02
---------	---------------------------

Series drawing

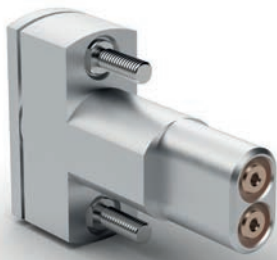
All measurements are in mm.



Radio Frequency performance

Typical insertion loss	DC up to 6 GHz	6 GHz up to 12 GHz
Maximum	0.15 dB	0.37 dB
Typical return loss	DC up to 6 GHz	6 GHz up to 12 GHz
Minimum	40 dB	15 dB

This table shows the reference values in the middle and at the end of the recommended frequency.



HF77

12 GHz | HFM Male 2-fold

Electrical specifications

Temperature [°C]	-45°...+100°
Current INTERNAL [A]	0.1
Current CIRCULAR [A]	0.5
Impedance [Ohm]	50
Frequency [GHz]	12

Mechanical specifications

	2x SIGNAL	GROUND
Preload (cN)	95	230
Spring force at nt (cN ±20%)	120	420
Nominal travel (mm)	0.5	2.0
Maximum travel (mm)	0.8	2.8

Materials and plating

Contact SIGNAL	BeCu	gold plated
Contact GROUND	BeCu	gold plated
Barrel	Brass	gold plated
Spring SIGNAL	Spring steel	gold plated
Spring GROUND	Stainless steel	unplated
Flange	Brass	nickel plated

Accessories

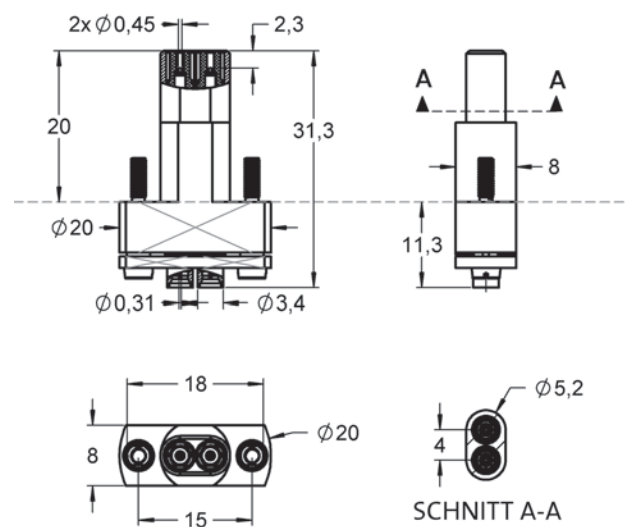
1034900	HF77HFMm0112G540MSMPmP	
1031897	FZWZ-001	Assembly tool
Interface	mSMP Male	see page 128

Order code Product name

1120793	HF77HFMm0212G1080MSMPmFV01
---------	----------------------------

Series drawing

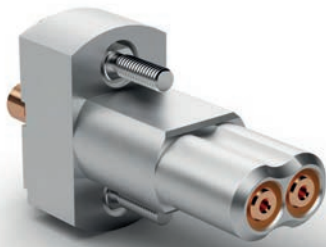
All measurements are in mm.



Radio Frequency performance

Typical insertion loss	DC	6 GHz
	up to 6 GHz	up to 12 GHz
Maximum	0.15 dB	0.37 dB
Typical return loss	DC	6 GHz
	up to 6 GHz	up to 12 GHz
Minimum	40 dB	15 dB

This table shows the reference values in the middle and at the end of the recommended frequency.



HF77

12 GHz | HFM Male 2-fold

Electrical specifications

Temperature [°C]	-45°...+100°
Current INTERNAL [A]	0.1
Current CIRCULAR [A]	0.5
Impedance [Ohm]	50
Frequency [GHz]	12

Mechanical specifications

	2x SIGNAL	GROUND
Preload (cN)	95	230
Spring force at nt (cN ±20%)	120	420
Nominal travel (mm)	0.5	2.0
Maximum travel (mm)	0.8	2.8

Materials and plating

Contact SIGNAL	BeCu	gold plated
Contact GROUND	BeCu	gold plated
Barrel	Brass	gold plated
Spring SIGNAL	Spring steel	gold plated
Spring GROUND	Stainless steel	unplated
Flange	Brass	nickel plated

Accessories

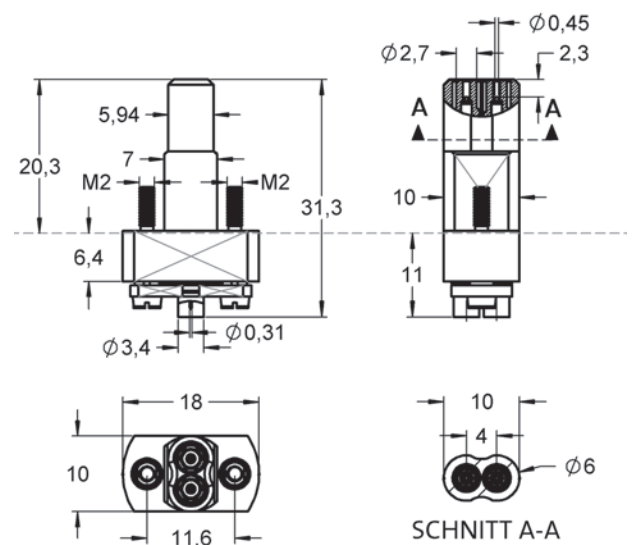
1034900	HF77HFMm0112G540MSMPmP	
1031897	FZWZ-001	Assembly tool
Interface	mSMP Male	see page 128

Order code Product name

1057696	HF77HFMm0212G1080MSMPmFV02
---------	----------------------------

Series drawing

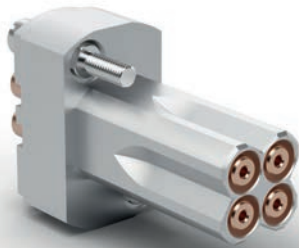
All measurements are in mm.



Radio Frequency performance

Typical insertion loss	DC up to 6 GHz	6 GHz up to 12 GHz
Maximum	0.15 dB	0.37 dB
Typical return loss	DC up to 6 GHz	6 GHz up to 12 GHz
Minimum	40 dB	15 dB

This table shows the reference values in the middle and at the end of the recommended frequency.



HF77

12 GHz | HFM Male 4-fold

Electrical specifications

Temperature [°C]	-45°...+100°
Current INTERNAL [A]	0.1
Current CIRCULAR [A]	0.5
Impedance [Ohm]	50
Frequency [GHz]	12

Mechanical specifications

	4x SIGNAL	GROUND
Preload (cN)	95	230
Spring force at nt (cN ±20%)	120	420
Nominal travel (mm)	0.5	2.0
Maximum travel (mm)	0.8	2.8

Materials and plating

Contact SIGNAL	BeCu	gold plated
Contact GROUND	BeCu	gold plated
Barrel	Brass	gold plated
Spring SIGNAL	Spring steel	gold plated
Spring GROUND	Stainless steel	unplated
Flange	Brass	nickel plated

Accessories

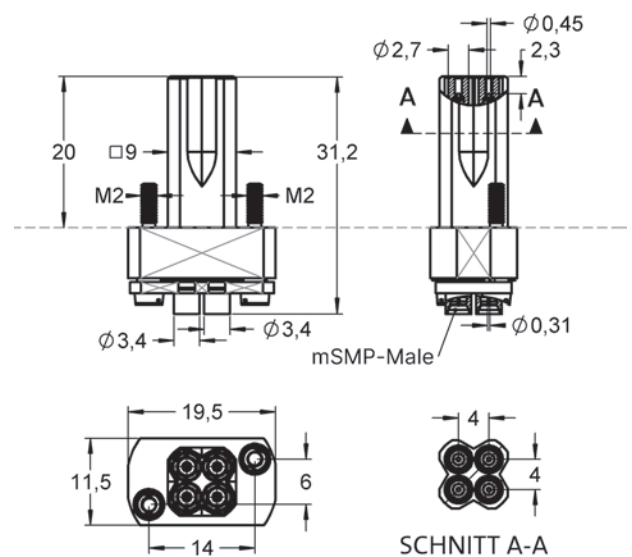
1034900	HF77HFMm0112G540MSMPmP	
1031897	FZWZ-001	Assembly tool
Interface	mSMP Male	see page 128

Order code Product name

1034901	HF77HFMm0412G2160MSMPmF
---------	-------------------------

Series drawing

All measurements are in mm.



Radio Frequency performance

Typical insertion loss	DC	6 GHz
	up to 6 GHz	up to 12 GHz
Maximum	0.15 dB	0.37 dB
Typical return loss	DC	6 GHz
	up to 6 GHz	up to 12 GHz
Minimum	40 dB	15 dB

This table shows the reference values in the middle and at the end of the recommended frequency.



HF77

12 GHz | MateAX Female 1-fold

Electrical specifications

Temperature [°C]	-45°...+100°
Current INTERNAL [A]	0.1
Current CIRCULAR [A]	0.5
Impedance [Ohm]	50
Frequency [GHz]	12

Mechanical specifications

	SIGNAL	GROUND
Preload (cN)	95	230
Spring force at nt (cN ±20%)	120	420
Nominal travel (mm)	0.5	2.0
Maximum travel (mm)	1.8	2.8

Materials and plating

Contact SIGNAL	BeCu	gold plated
Contact GROUND	BeCu	gold plated
Barrel	Brass	gold plated
Spring SIGNAL	Spring steel	gold plated
Spring GROUND	Stainless steel	unplated
Flange	Brass	nickel plated

Accessories

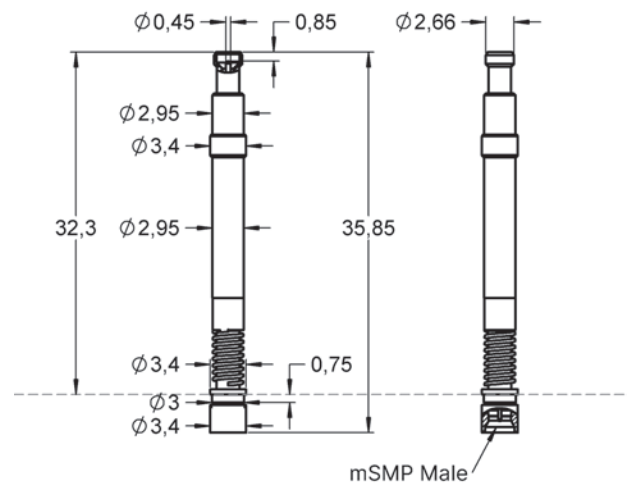
Interface	mSMP Male	see page 128
-----------	-----------	--------------

Order code Product name

1056232	HF77MATEAXf0112G540MSMPmP
---------	---------------------------

Series drawing

All measurements are in mm.



Radio Frequency performance

Typical insertion loss	DC	6 GHz
	up to 6 GHz	up to 12 GHz
Maximum	0.15 dB	0.38 dB
Typical return loss	DC	6 GHz
	up to 6 GHz	up to 12 GHz
Minimum	35 dB	10 dB

This table shows the reference values in the middle and at the end of the recommended frequency.



HF77

12 GHz | MateAX Female 1-fold

Electrical specifications

Temperature [°C]	-45°...+100°
Current INTERNAL [A]	0.1
Current CIRCULAR [A]	0.5
Impedance [Ohm]	50
Frequency [GHz]	12

Mechanical specifications

	SIGNAL	GROUND
Preload (cN)	95	230
Spring force at nt (cN ±20%)	120	420
Nominal travel (mm)	0.5	2.0
Maximum travel (mm)	1.8	2.8

Materials and plating

Contact SIGNAL	BeCu	gold plated
Contact GROUND	BeCu	gold plated
Barrel	Brass	gold plated
Spring SIGNAL	Spring steel	gold plated
Spring GROUND	Stainless steel	unplated
Flange	Brass	nickel plated

Accessories

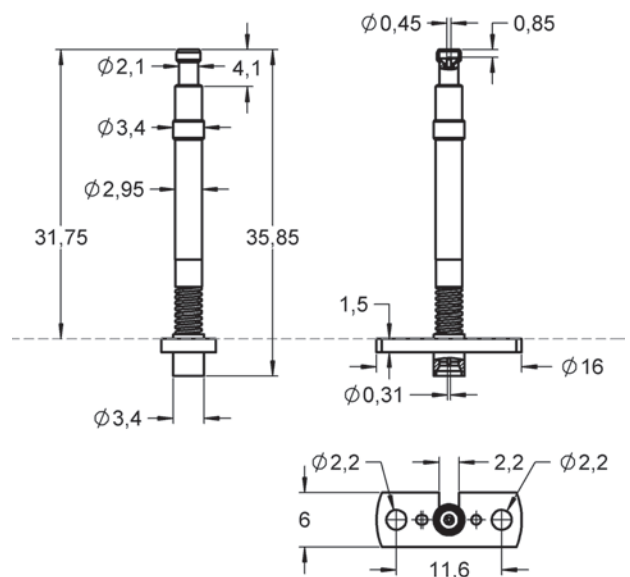
1056232	HF77MATEAXf0112G540MSMPmP	
1031897	FZWZ-001	Assembly tool
Interface	mSMP Male	see page 128

Order code Product name

1142274	HF77MATEAXf0112G540MSMPmF
---------	---------------------------

Series drawing

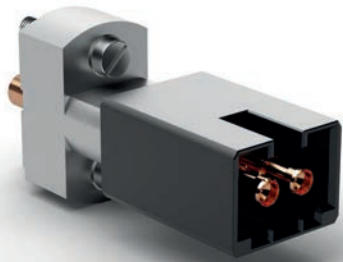
All measurements are in mm.



Radio Frequency performance

Typical insertion loss	DC	6 GHz
	up to 6 GHz	up to 12 GHz
Maximum	0.15 dB	0.38 dB
Typical return loss	DC	6 GHz
	up to 6 GHz	up to 12 GHz
Minimum	35 dB	10 dB

This table shows the reference values in the middle and at the end of the recommended frequency.



HF77

12 GHz | MateAX Female 2-fold

Electrical specifications

Temperature [°C]	-45°...+100°
Current INTERNAL [A]	0.1
Current CIRCULAR [A]	0.5
Impedance [Ohm]	50
Frequency [GHz]	12

Mechanical specifications

	2x SIGNAL	GROUND
Preload (cN)	95	230
Spring force at nt (cN ±20%)	120	420
Nominal travel (mm)	0.5	2.0
Maximum travel (mm)	1.8	2.8

Materials and plating

Contact SIGNAL	BeCu	gold plated
Contact GROUND	BeCu	gold plated
Barrel	Brass	gold plated
Spring SIGNAL	Spring steel	gold plated
Spring GROUND	Stainless steel	unplated
Flange	Brass	nickel plated

Accessories

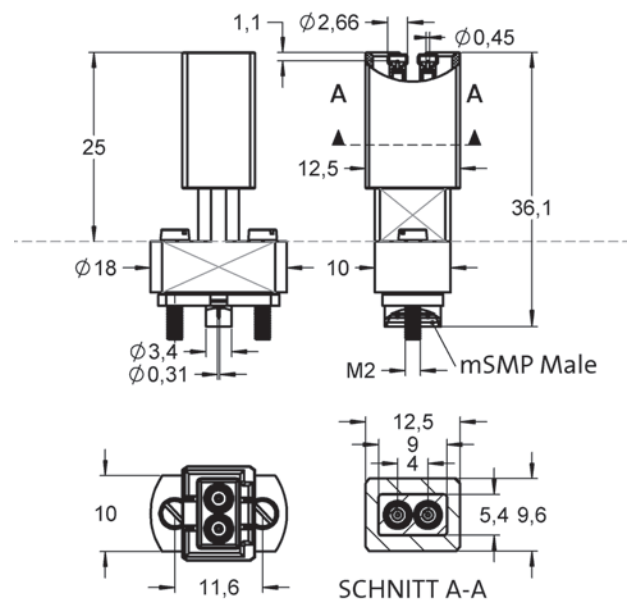
1056232	HF77MATEAXf0112G540MSMPmP	
1031897	FZWZ-001	Assembly tool
Interface	mSMP Male	see page 128

Order code Product name

1112868	HF77MATEAXf0212G1080MSMPmF
---------	----------------------------

Series drawing

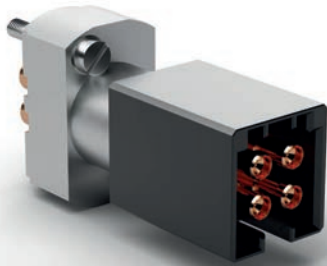
All measurements are in mm.



Radio Frequency performance

Typical insertion loss	DC	6 GHz
	up to 6 GHz	up to 12 GHz
Maximum	0.15 dB	0.38 dB
Typical return loss	DC	6 GHz
	up to 6 GHz	up to 12 GHz
Minimum	35 dB	10 dB

This table shows the reference values in the middle and at the end of the recommended frequency.



HF77

12 GHz | MateAX Female 4-fold

Electrical specifications

Temperature [°C]	-45°...+100°
Current INTERNAL [A]	0.1
Current CIRCULAR [A]	0.5
Impedance [Ohm]	50
Frequency [GHz]	12

Mechanical specifications

	4x SIGNAL	GROUND
Preload (cN)	95	230
Spring force at nt (cN ±20%)	120	420
Nominal travel (mm)	0.5	2.0
Maximum travel (mm)	1.8	2.8

Materials and plating

Contact SIGNAL	BeCu	gold plated
Contact GROUND	BeCu	gold plated
Barrel	Brass	gold plated
Spring SIGNAL	Spring steel	gold plated
Spring GROUND	Stainless steel	unplated
Flange	Brass	nickel plated

Accessories

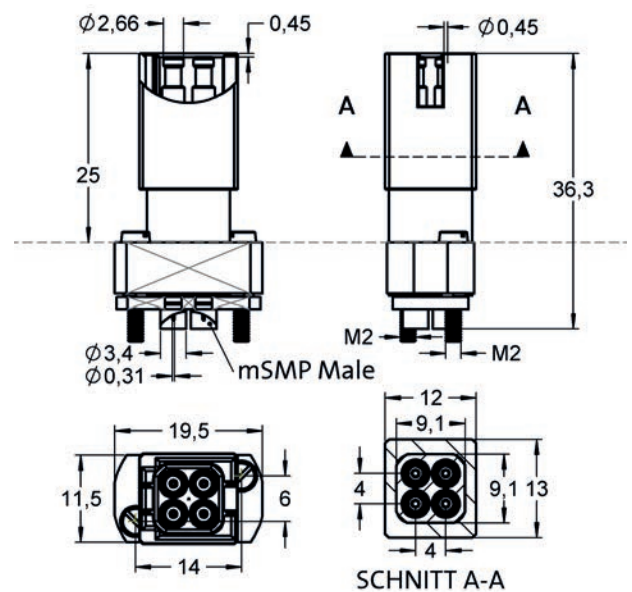
1056232	HF77MATEAXf0112G540MSMPmP	
1031897	FZWZ-001	Assembly tool
Interface	mSMP Male	see page 128

Order code Product name

1051198	HF77MATEAXf0412G2160MSMPmF
---------	----------------------------

Series drawing

All measurements are in mm.



Radio Frequency performance

Typical insertion loss	DC	6 GHz
	up to 6 GHz	up to 12 GHz
Maximum	0.15 dB	0.38 dB
Typical return loss	DC	6 GHz
	up to 6 GHz	up to 12 GHz
Minimum	35 dB	10 dB

This table shows the reference values in the middle and at the end of the recommended frequency.



HF77

12 GHz | MateAX Male 1-fold

Electrical specifications

Temperature [°C]	-45°...+100°
Current INTERNAL [A]	0.1
Current CIRCULAR [A]	0.5
Impedance [Ohm]	50
Frequency [GHz]	12

Mechanical specifications

	SIGNAL	GROUND
Preload (cN)	95	230
Spring force at nt (cN ±20%)	120	420
Nominal travel (mm)	0.5	2.0
Maximum travel (mm)	1.8	2.8

Materials and plating

Contact SIGNAL	BeCu	gold plated
Contact GROUND	BeCu	gold plated
Barrel	Brass	gold plated
Spring SIGNAL	Spring steel	gold plated
Spring GROUND	Stainless steel	unplated
Flange	Brass	nickel plated

Accessories

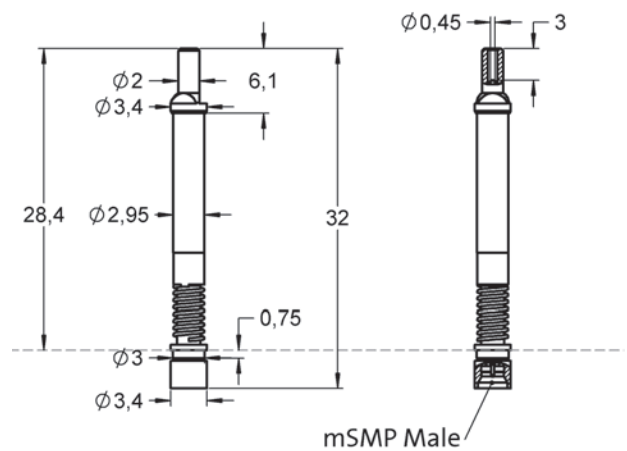
Interface	mSMP Male	see page 128
-----------	-----------	--------------

Order code Product name

1035527	HF77MATEAXm0112G540MSMPmP
---------	---------------------------

Series drawing

All measurements are in mm.



Radio Frequency performance

Typical insertion loss	DC	6 GHz
	up to 6 GHz	up to 12 GHz
Maximum	0.15 dB	0.38 dB
Typical return loss	DC	6 GHz
	up to 6 GHz	up to 12 GHz
Minimum	35 dB	10 dB

This table shows the reference values in the middle and at the end of the recommended frequency.



HF77

12 GHz | MateAX Male 1-fold

Electrical specifications

Temperature [°C]	-45°...+100°
Current INTERNAL [A]	0.1
Current CIRCULAR [A]	0.5
Impedance [Ohm]	50
Frequency [GHz]	12

Mechanical specifications

	SIGNAL	GROUND
Preload (cN)	95	230
Spring force at nt (cN ±20%)	120	420
Nominal travel (mm)	0.5	2.0
Maximum travel (mm)	1.8	2.8

Materials and plating

Contact SIGNAL	BeCu	gold plated
Contact GROUND	BeCu	gold plated
Barrel	Brass	gold plated
Spring SIGNAL	Spring steel	gold plated
Spring GROUND	Stainless steel	unplated
Flange	Brass	nickel plated

Accessories

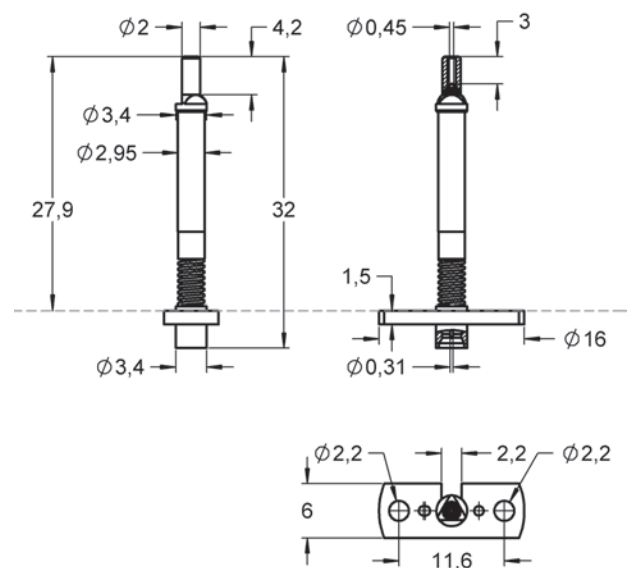
1035527	HF77MATEAXm0112G540MSMPmP	
1031897	FZWZ-001	Assembly tool
Interface	mSMP Male	see page 128

Order code Product name

1036172	HF77MATEAXm0112G540MSMPmFV01
---------	------------------------------

Series drawing

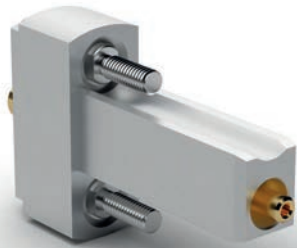
All measurements are in mm.



Radio Frequency performance

Typical insertion loss	DC	6 GHz
	up to 6 GHz	up to 12 GHz
Maximum	0.15 dB	0.38 dB
Typical return loss	DC	6 GHz
	up to 6 GHz	up to 12 GHz
Minimum	35 dB	10 dB

This table shows the reference values in the middle and at the end of the recommended frequency.



HF77

12 GHz | MateAX Male 1-fold

Electrical specifications

Temperature [°C]	-45°...+100°
Current INTERNAL [A]	0.1
Current CIRCULAR [A]	0.5
Impedance [Ohm]	50
Frequency [GHz]	12

Mechanical specifications

	SIGNAL	GROUND
Preload (cN)	95	230
Spring force at nt (cN ±20%)	120	420
Nominal travel (mm)	0.5	2.0
Maximum travel (mm)	1.8	2.8

Materials and plating

Contact SIGNAL	BeCu	gold plated
Contact GROUND	BeCu	gold plated
Barrel	Brass	gold plated
Spring SIGNAL	Spring steel	gold plated
Spring GROUND	Stainless steel	unplated
Flange	Brass	nickel plated

Accessories

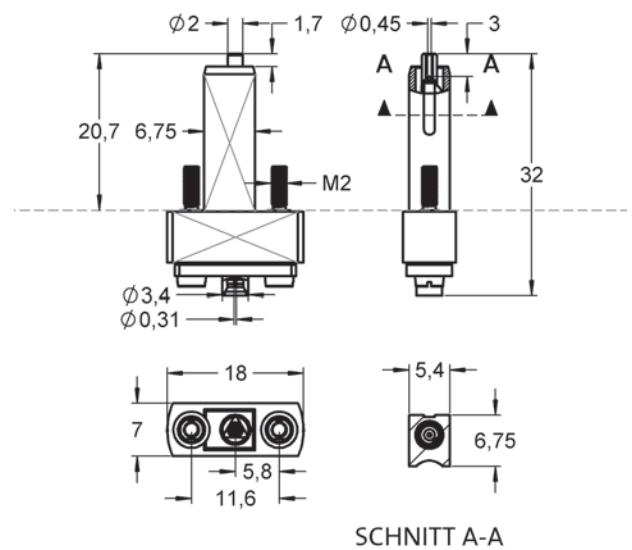
1035527	HF77MATEAXm0112G540MSMPmP	
1031897	FZWZ-001	Assembly tool
Interface	mSMP Male	see page 128

Order code Product name

1116970	HF77MATEAXm0112G540MSMPmFV02
---------	------------------------------

Series drawing

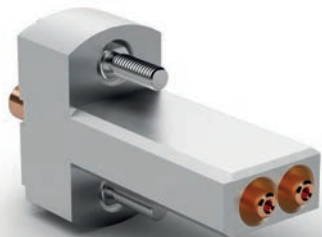
All measurements are in mm.



Radio Frequency performance

Typical insertion loss	DC	6 GHz
	up to 6 GHz	up to 12 GHz
Maximum	0.15 dB	0.38 dB
Typical return loss	DC	6 GHz
	up to 6 GHz	up to 12 GHz
Minimum	35 dB	10 dB

This table shows the reference values in the middle and at the end of the recommended frequency.



HF77

12 GHz | MateAX Male 2-fold

Electrical specifications

Temperature [°C]	-45°...+100°
Current INTERNAL [A]	0.1
Current CIRCULAR [A]	0.5
Impedance [Ohm]	50
Frequency [GHz]	12

Mechanical specifications

	2x SIGNAL	2x GROUND
Preload (cN)	95	230
Spring force at nt (cN ±20%)	120	420
Nominal travel (mm)	0.5	2.0
Maximum travel (mm)	1.8	2.8

Materials and plating

Contact SIGNAL	BeCu	gold plated
Contact GROUND	BeCu	gold plated
Barrel	Brass	gold plated
Spring SIGNAL	Spring steel	gold plated
Spring GROUND	Stainless steel	unplated
Flange	Brass	nickel plated

Accessories

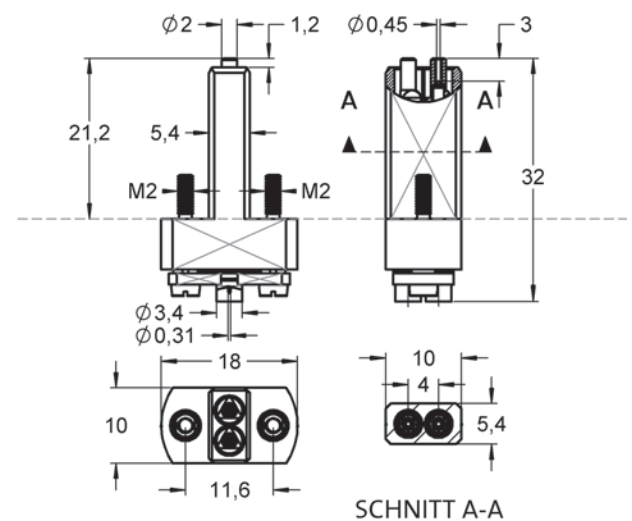
1035527	HF77MATEAXm0112G540MSMPmP	
1031897	FZWZ-001	Assembly tool
Interface	mSMP Male	see page 128

Order code Product name

1142276	HF77MATEAXm0212G1080MSMPmF
---------	----------------------------

Series drawing

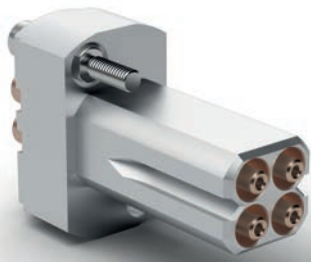
All measurements are in mm.



Radio Frequency performance

Typical insertion loss	DC	6 GHz
	up to 6 GHz	up to 12 GHz
Maximum	0.15 dB	0.38 dB
Typical return loss	DC	6 GHz
	up to 6 GHz	up to 12 GHz
Minimum	35 dB	10 dB

This table shows the reference values in the middle and at the end of the recommended frequency.



HF77

12 GHz | MateAX Male 4-fold

Electrical specifications

Temperature [°C]	-45°...+100°
Current INTERNAL [A]	0.1
Current CIRCULAR [A]	0.5
Impedance [Ohm]	50
Frequency [GHz]	12

Mechanical specifications

	4x SIGNAL	4x GROUND
Preload (cN)	95	230
Spring force at nt (cN ±20%)	120	420
Nominal travel (mm)	0.5	2.0
Maximum travel (mm)	1.8	2.8

Materials and plating

Contact SIGNAL	BeCu	gold plated
Contact GROUND	BeCu	gold plated
Barrel	Brass	gold plated
Spring SIGNAL	Spring steel	gold plated
Spring GROUND	Stainless steel	unplated
Flange	Brass	nickel plated

Accessories

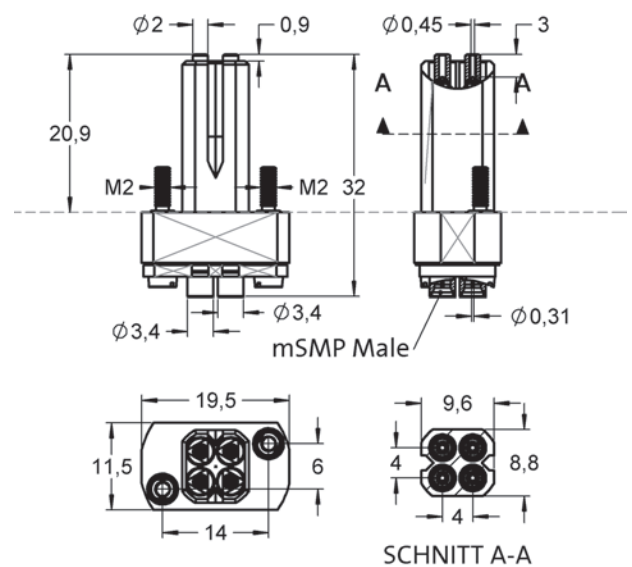
1035527	HF77MATEAXm0112G540MSMPmP	
1031897	FZWZ-001	Assembly tool
Interface	mSMP Male	see page 128

Order code Product name

1035528	HF77MATEAXm0412G2160MSMPmF
---------	----------------------------

Series drawing

All measurements are in mm.



Radio Frequency performance

Typical insertion loss	DC	6 GHz
	up to 6 GHz	up to 12 GHz
Maximum	0.15 dB	0.38 dB
Typical return loss	DC	6 GHz
	up to 6 GHz	up to 12 GHz
Minimum	35 dB	10 dB

This table shows the reference values in the middle and at the end of the recommended frequency.



HF77

1 GHz | MateNet Male

Electrical specifications

Temperature [°C]	-45°...+100°
Current INTERNAL [A]	1
Current CIRCULAR [A]	1
Impedance [Ohm]	100
Frequency [GHz]	1

Mechanical specifications

	2x SIGNAL	1x GROUND
Preload (cN)	130	470
Spring force at nt (cN ±20%)	195	630
Nominal travel (mm)	0.9	2.5
Maximum travel (mm)	1.2	3.5

Materials and plating

Contact SIGNAL	BeCu	gold plated
Contact GROUND	BeCu	gold plated
Barrel	Brass	gold plated
Spring SIGNAL	Spring steel	gold plated
Spring GROUND	Spring steel	gold plated
Flange	Brass	nickel plated

Accessories

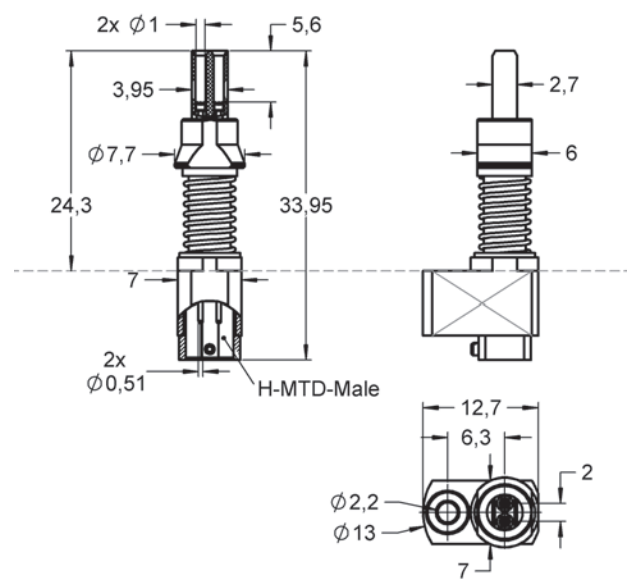
1097776	F07706B100G195	Inner pin
1035933	FZWZ-005	Assembly tool
Interface	H-MTD Male	see page 128

Order code Product name

1097821	HF77MATENETm011G1020HMTDmFV01
---------	-------------------------------

Series drawing

All measurements are in mm.





HF77

12 GHz | SMK miniFakra Male 2-fold

Electrical specifications

Temperature [°C]	-45°...+100°
Current INTERNAL [A]	0.1
Current CIRCULAR [A]	0.5
Impedance [Ohm]	50
Frequency [GHz]	12

Mechanical specifications

	SIGNAL	GROUND
Preload (cN)	95	230
Spring force at nt (cN ±20%)	120	420
Nominal travel (mm)	0.5	2.0
Maximum travel (mm)	1.8	2.8

Materials and plating

Contact SIGNAL	BeCu	gold plated
Contact GROUND	BeCu	gold plated
Barrel	Brass	nickel plated
Spring SIGNAL	Spring steel	gold plated
Spring GROUND	Stainless steel	unplated
Flange	Brass	nickel plated

Accessories

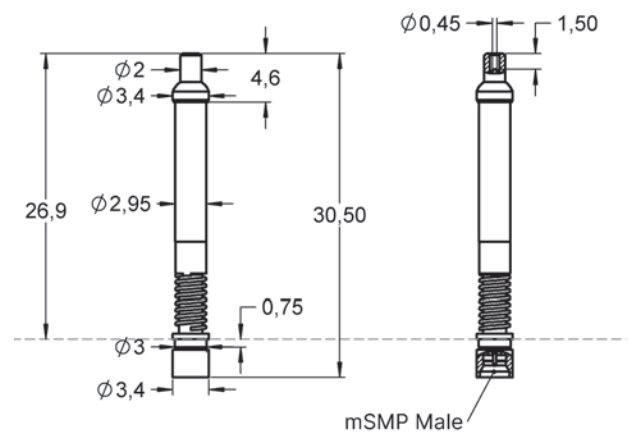
Interface	mSMP Male	see page 128
-----------	-----------	--------------

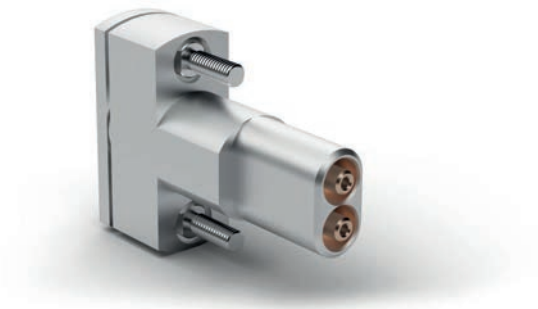
Order code Product name

1134945	HF77SMKMINIFAKRAM0112G540MSMPmP
---------	---------------------------------

Series drawing

All measurements are in mm.





HF77

12 GHz | SMK miniFakra Male 2-fold

Electrical specifications

Temperature [°C]	-45°...+100°
Current INTERNAL [A]	0.1
Current CIRCULAR [A]	0.5
Impedance [Ohm]	50
Frequency [GHz]	12

Mechanical specifications

	2x SIGNAL	GROUND
Preload (cN)	95	280
Spring force at nt (cN ±20%)	120	420
Nominal travel (mm)	0.5	1.4
Maximum travel (mm)	1.8	2.2

Materials and plating

Contact SIGNAL	BeCu	gold plated
Contact GROUND	BeCu	gold plated
Barrel	Brass	nickel plated
Spring SIGNAL	Spring steel	gold plated
Spring GROUND	Stainless steel	unplated
Flange	Brass	nickel plated

Accessories

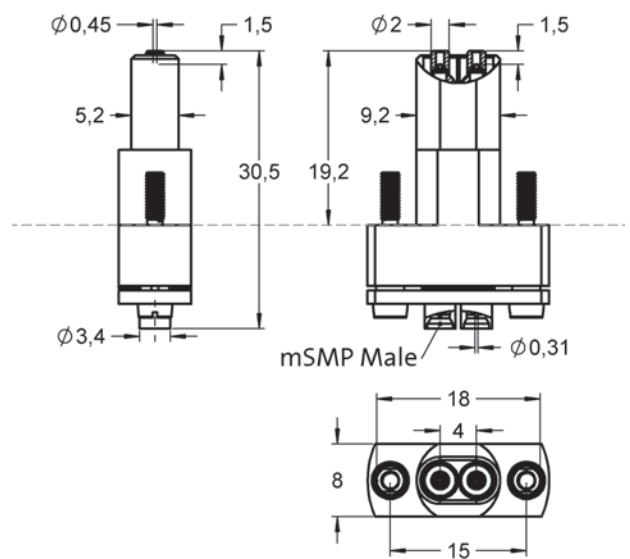
1134945	HF77SMKMINIFAKRAm0112G540MSMPmP	
1031897	FZWZ-001	Assembly tool
Interface	mSMP Male	see page 128

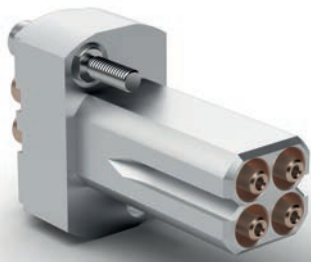
Order code Product name

1139613	HF77SMKMINIFAKRAm0212G1080MSMPmF
---------	----------------------------------

Series drawing

All measurements are in mm.





HF77

12 GHz | SMK mini Fakra Male 4-fold

Electrical specifications

Temperature [°C]	-45°...+100°
Current INTERNAL [A]	0.1
Current CIRCULAR [A]	0.5
Impedance [Ohm]	50
Frequency [GHz]	12

Mechanical specifications

	4x SIGNAL	GROUND
Preload (cN)	95	280
Spring force at nt (cN ±20%)	120	420
Nominal travel (mm)	0.5	1.4
Maximum travel (mm)	1.8	2.2

Materials and plating

Contact SIGNAL	BeCu	gold plated
Contact GROUND	BeCu	gold plated
Barrel	Brass	nickel plated
Spring SIGNAL	Spring steel	gold plated
Spring GROUND	Stainless steel	unplated
Flange	Brass	nickel plated

Accessories

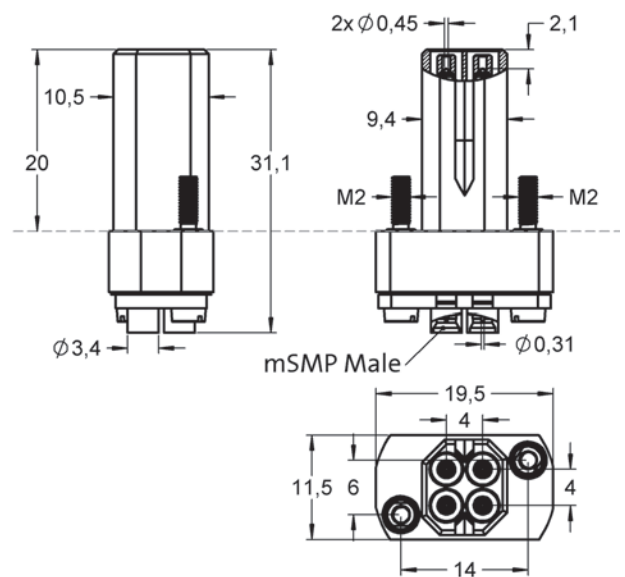
1134945	HF77SMKMINIFAKRAm0112G540MSMPmP	
1031897	FZWZ-001	Assembly tool
Interface	mSMP Male	see page 128

Order code Product name

1134946	HF77SMKMINIFAKRAm0412G2160MSMPmF
---------	----------------------------------

Series drawing

All measurements are in mm.





HF77

12 GHz | KET miniFakra Male 1-fold

Electrical specifications

Temperature [°C]	-45°...+100°
Current INTERNAL [A]	0.1
Current CIRCULAR [A]	0.5
Impedance [Ohm]	50
Frequency [GHz]	12

Mechanical specifications

	SIGNAL	GROUND
Preload (cN)	95	230
Spring force at nt (cN ±20%)	120	420
Nominal travel (mm)	0.5	2.0
Maximum travel (mm)	1.8	2.8

Materials and plating

Contact SIGNAL	BeCu	gold plated
Contact GROUND	BeCu	gold plated
Barrel	Brass	gold plated
Spring SIGNAL	Spring steel	gold plated
Spring GROUND	Stainless steel	unplated
Flange	Brass	nickel plated

Accessories

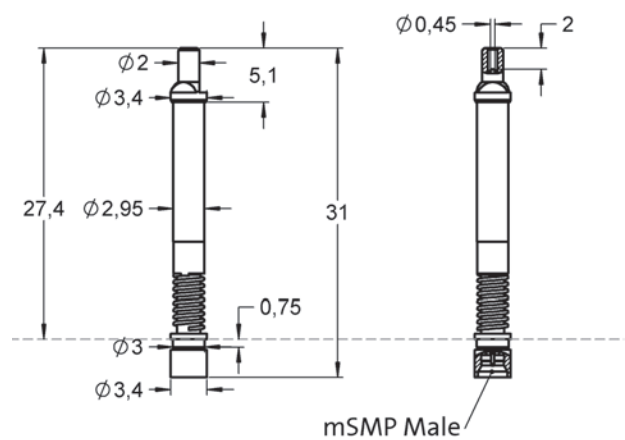
Interface	mSMP Male	see page 128
-----------	-----------	--------------

Order code Product name

1109576	HF77KETMINIFAKRAM0112G540MSMPmP
---------	---------------------------------

Series drawing

All measurements are in mm.





HF77

12 GHz | KET miniFakra Male 1-fold

Electrical specifications

Temperature [°C]	-45°...+100°
Current INTERNAL [A]	0.1
Current CIRCULAR [A]	0.5
Impedance [Ohm]	50
Frequency [GHz]	12

Mechanical specifications

	SIGNAL	GROUND
Preload (cN)	95	230
Spring force at nt (cN ±20%)	120	420
Nominal travel (mm)	0.5	2.0
Maximum travel (mm)	1.8	2.8

Materials and plating

Contact SIGNAL	BeCu	gold plated
Contact GROUND	BeCu	gold plated
Barrel	Brass	gold plated
Spring SIGNAL	Spring steel	gold plated
Spring GROUND	Stainless steel	unplated
Flange	Brass	nickel plated

Accessories

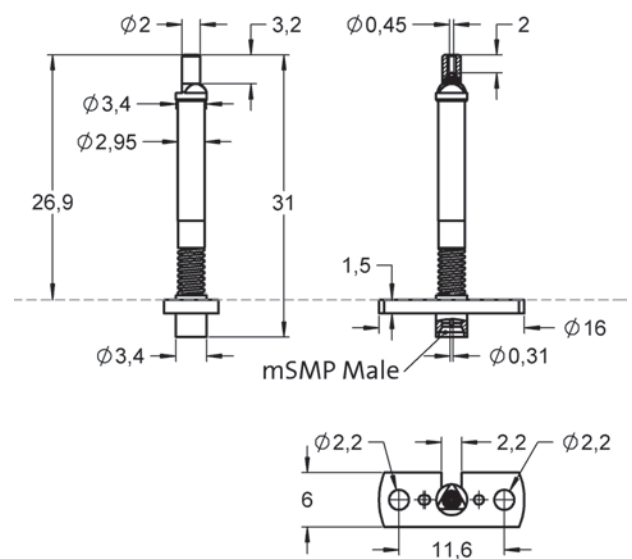
1109576	HF77KETMINIFAKRAM0112G540MSMPmP	
1031897	FZWZ-001	Assembly tool
Interface	mSMP Male	see page 128

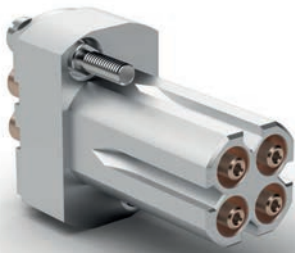
Order code Product name

1141543	HF77KETMINIFAKRAM0112G540MSMPmF
---------	---------------------------------

Series drawing

All measurements are in mm.





HF77

12 GHz | KET miniFakra Male 4-fold

Electrical specifications

Temperature [°C]	-45°...+100°
Current INTERNAL [A]	0.1
Current CIRCULAR [A]	0.5
Impedance [Ohm]	50
Frequency [GHz]	12

Mechanical specifications

	4x SIGNAL	GROUND
Preload (cN)	95	230
Spring force at nt (cN ±20%)	120	420
Nominal travel (mm)	0.5	2.0
Maximum travel (mm)	1.8	2.8

Materials and plating

Contact SIGNAL	BeCu	gold plated
Contact GROUND	BeCu	gold plated
Barrel	Brass	gold plated
Spring SIGNAL	Spring steel	gold plated
Spring GROUND	Stainless steel	unplated
Flange	Brass	nickel plated

Accessories

1109576	HF77KETMINIFAKRAM0112G540MSMPmP	
1031897	FZWZ-001	Assembly tool
Interface	mSMP Male	see page 128

Order code Product name

1109577	HF77KETMINIFAKRAM0412G1080MSMPmF
---------	----------------------------------

Series drawing

All measurements are in mm.

