



## HF86

### 6 GHz | FAKRA Female

#### Electrical specifications

Temperature [°C]	-45°...+100°
Current INTERNAL [A]	3
Current CIRCULAR [A]	10
Impedance [Ohm]	50
Frequency [GHz]	6

#### Mechanical specifications

	SIGNAL	GROUND
Preload (cN)	50	500
Spring force at nt (cN ±20%)	110	665
Nominal travel (mm)	1.5	2.0
Maximum travel (mm)	2.9	3.0

#### Materials and plating

Contact SIGNAL	BeCu	gold plated
Contact GROUND	Brass	gold plated
Barrel	Brass	gold plated
Spring SIGNAL	Spring steel	gold plated
Spring GROUND	Stainless steel	unplated
Receptacle	Brass	gold plated

#### Accessories

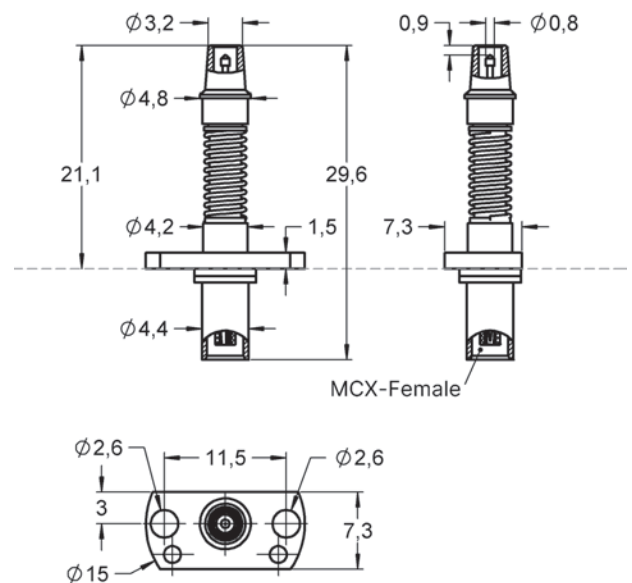
1012578	F08605B150G130	Inner pin
1035932	FZWZ-004	Assembly tool
Interface	MCX Female	see page 130

#### Order code Product name

1142304	HF86FAKRAF016G775MCXmF
---------	------------------------

#### Series drawing

All measurements are in mm.



#### Radio Frequency performance

Typical <b>insertion loss</b>	DC up to 3 GHz	3 GHz up to 6 GHz
Maximum	0.4 dB	0.6 dB
Typical <b>return loss</b>	DC up to 3 GHz	3 GHz up to 6 GHz
Minimum	17 dB	12 dB

This table shows the reference values in the middle and at the end of the recommended frequency.



## HF86

6 GHz | BNC Female

### Electrical specifications

Temperature [°C]	-45°...+100°
Current INTERNAL [A]	3
Current CIRCULAR [A]	10
Impedance [Ohm]	50
Frequency [GHz]	6

### Mechanical specifications

	SIGNAL	GROUND
Preload (cN)	50	500
Spring force at nt (cN ±20%)	110	665
Nominal travel (mm)	1.5	2.0
Maximum travel (mm)	2.9	3.0

### Materials and plating

Contact SIGNAL	BeCu	gold plated
Contact GROUND	BeCu	gold plated
Barrel	Brass	gold plated
Spring SIGNAL	Spring steel	gold plated
Spring GROUND	Stainless steel	unplated
Flange	Brass	nickel plated

### Accessories

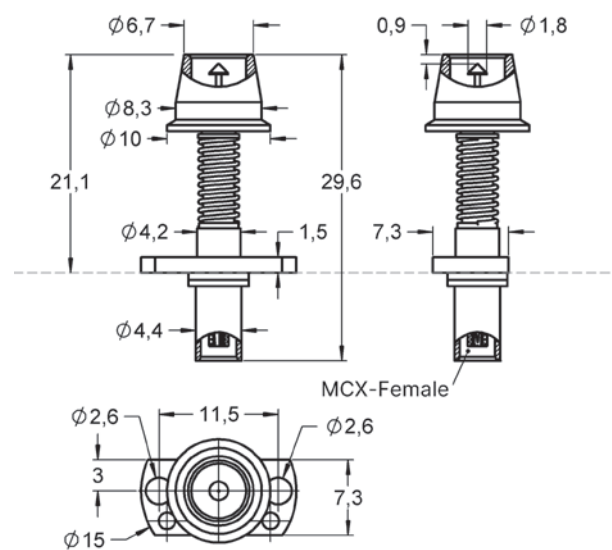
1106277	F08302B180G120	Inner pin
1035933	FZWZ-005	Assembly tool
Interface	MCX Female	see page 130

### Order code Product name

1106447	HF86BNCf016G775MCXfF
---------	----------------------

### Series drawing

All measurements are in mm.





## HF86

6 GHz | SMB Male

### Electrical specifications

Temperature [°C]	-45°...+100°
Current INTERNAL [A]	3
Current CIRCULAR [A]	10
Impedance [Ohm]	50
Frequency [GHz]	6

### Mechanical specifications

	SIGNAL	GROUND
Preload (cN)	50	500
Spring force at nt (cN ±20%)	110	665
Nominal travel (mm)	1.5	2.0
Maximum travel (mm)	2.9	3.0

### Materials and plating

Contact SIGNAL	BeCu	gold plated
Contact GROUND	BeCu	gold plated
Barrel	Brass	gold plated
Spring SIGNAL	Spring steel	gold plated
Spring GROUND	Stainless steel	unplated
Flange	Brass	nickel plated

### Accessories

1043444	F08305B150G120	Inner pin
1035933	FZWZ-005	Assembly tool
Interface	MCX Female	see page 130

### Order code Product name

1106446	HF86SMBm016G775MCXfF
---------	----------------------

### Series drawing

All measurements are in mm.

