



HF890

12 GHz | MMBX Female

Electrical specifications

Temperature [°C]	-45°...+100°
Current INTERNAL [A]	3
Current CIRCULAR [A]	10
Impedance [Ohm]	50
Frequency [GHz]	12

Mechanical specifications

	SIGNAL	GROUND
Preload (cN)	75	450
Spring force at nt (cN ±20%)	110	800
Nominal travel (mm)	1.2	4.0
Maximum travel (mm)	1.9	5.0

Materials and plating

Contact SIGNAL	BeCu	gold plated
Contact GROUND	BeCu	gold plated
Barrel	Brass	gold plated
Spring SIGNAL	Spring steel	gold plated
Spring GROUND	Stainless steel	unplated
Receptacle	Brass	gold plated

Accessories

Receptacles H860 see page 132.

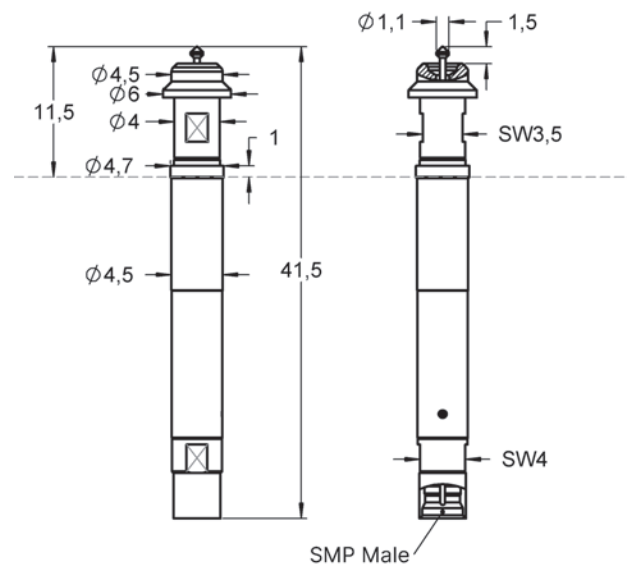
1017393	FEWZ-822E0	Insertion tool receptacle
1032963	F08602B110G130	Inner pin
Interface	SMP Male	see page 129

Order code Product name

1042148	HF890MMBXf/SMAf0112G910SMPmP
---------	------------------------------

Series drawing

All measurements are in mm.





HF890

12 GHz | mSMP Male

Electrical specifications

Temperature [°C]	-45°...+100°
Current INTERNAL [A]	3
Current CIRCULAR [A]	10
Impedance [Ohm]	50
Frequency [GHz]	12

Mechanical specifications

	SIGNAL	GROUND
Preload (cN)	100	90
Spring force at nt (cN ±20%)	130	800
Nominal travel (mm)	1.0	4.0
Maximum travel (mm)	1.7	5.0

Materials and plating

Contact SIGNAL	BeCu	gold plated
Contact GROUND	BeCu	gold plated
Barrel	Brass	gold plated
Spring SIGNAL	Spring steel	gold plated
Spring GROUND	Stainless steel	unplated
Receptacle	Brass	gold plated

Accessories

Receptacles H860 see page 132.

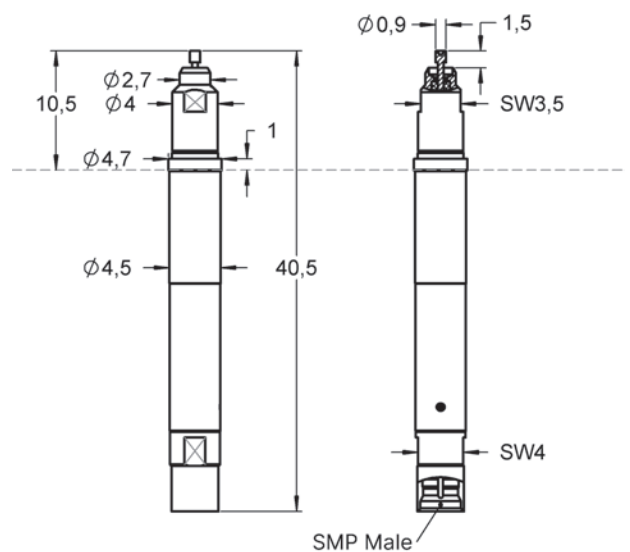
1017393	FEWZ-822E0	Insertion tool receptacle
Interface	SMP Male	see page 129

Order code Product name

1051266	HF890MSMPm0112G930SMPmP
---------	-------------------------

Series drawing

All measurements are in mm.





HF890

12 GHz | MSMP Male

Electrical specifications

Temperature [°C]	-45°...+100°
Current INTERNAL [A]	3
Current CIRCULAR [A]	10
Impedance [Ohm]	50
Frequency [GHz]	12

Mechanical specifications

	SIGNAL	GROUND
Preload (cN)	75	450
Spring force at nt (cN ±20%)	100	800
Nominal travel (mm)	1.0	4.0
Maximum travel (mm)	1.5	5.0

Materials and plating

Contact SIGNAL	BeCu	gold plated
Contact GROUND	BeCu	gold plated
Barrel	Brass	gold plated
Spring SIGNAL	Spring steel	gold plated
Spring GROUND	Stainless steel	unplated
Receptacle	Brass	gold plated

Accessories

Receptacles H860 see page 132.

1017393	FEWZ-822E0	Insertion tool receptacle
Interface	SMP Male	see page 129

Order code Product name

1042145	HF890MSMPm0112G900SMPmP
---------	-------------------------

Series drawing

All measurements are in mm.

