

POGO CONNECTORS



P067-L085

1.27 mm / 50 mil Pitch | $R < 20 \text{ m}\Omega$

Electrical specifications

Temperature [°C]	-45°...+200°
Current [A]	4
R_{TYP} [mOhm]	<20

Mechanical specifications

Preload [cN]	34
Spring force [cN] at nt $\pm 20\%$	60
Nominal travel [mm]	0.6
Maximum travel [mm]	1.1

Materials and plating

Plunger	BeCu	gold plated
Barrel	Bronze	gold plated
Spring	Stainless steel	gold plated
Receptacle	Bronze	gold plated

Accessories

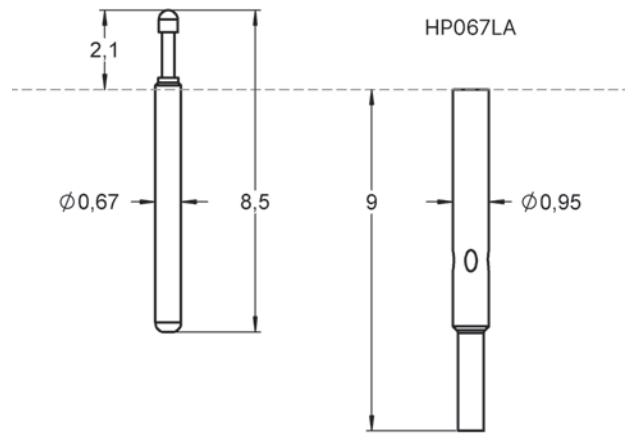
1006006	HP067LA	Receptacle
1003643	FEWZ-511E0	Insertion tool receptacle
1003576	FDWZ-050	Insertion tool probe


Drill size recommendation (mm)

1001828	HP067WW09	0.92 - 0.94
---------	-----------	-------------

Series drawing

All measurements are in mm.



Order code	Product name	Tip Style	Material	Ø in mm	Plating	FM Choice
1006012	P06712B050G060L085H	11 	B	0.50	G	-



P067-L114

1.27 mm / 50 mil Pitch | $R < 70 \text{ m}\Omega$

Electrical specifications

Temperature [°C]	-45°...+100°
Current [A]	4
R_{TYP} [mOhm]	<70

Mechanical specifications

Preload [cN]	15	30
Spring force [cN] at nt $\pm 20\%$	50	75
Nominal travel [mm]	0.8	0.8
Maximum travel [mm]	1.2	1.2

Materials and plating

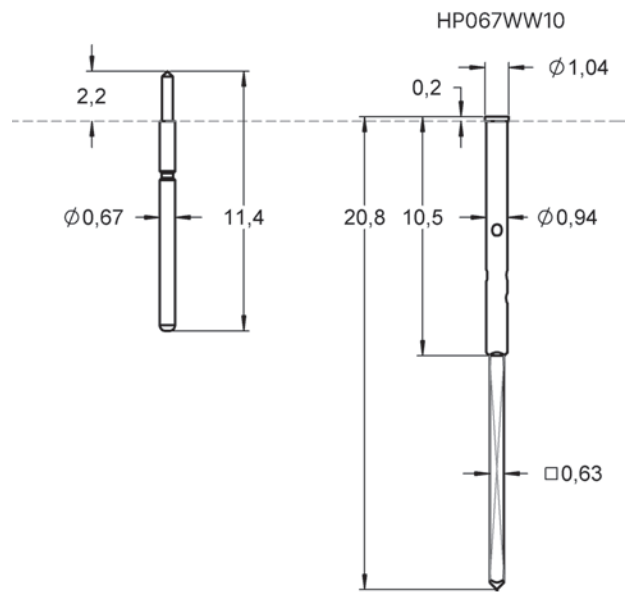
Plunger	Steel	longtime gold plated
	Bronze	silver plated
Barrel	Bronze	gold plated (S1)
	Spring steel	silver plated
Spring	Spring steel	silver plated
	Stainless steel	unplated (ST)
Receptacle	Brass	gold plated

Accessories

1001828	HP067WW10	Receptacle
1003576	FDWZ-050	Insertion tool probe

Series drawing

All measurements are in mm.



Drill size recommendation (mm)

1001828	HP067WW09	0.92 - 0.94
---------	-----------	-------------

Order code	Product name	Tip Style	Material	Ø in mm	Plating	FM Choice
1003071	P06701S048L050L114	01	S	0.48	L	-
1001479	P06701S048L075L114	01	S	0.48	L	-
1003072	P06705S100L075L114	05	S	1.00	L	-
1022459	P06707S100L050L114	07	S	1.00	L	-
1001480	P06707S100L075L114	07	S	1.00	L	-
1001481	P06711S048L075L114	11	S	0.48	L	-
1016085	P06712B100G075L114ST	12	S	1.00	L	-