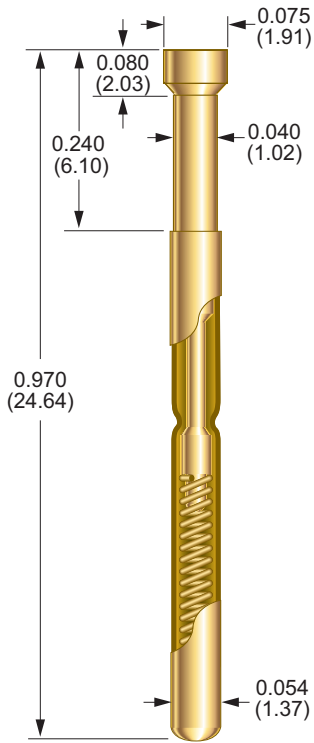


# S-2 Series

## 0.100 (2.54) Centers

For R-2 Series Receptacles see pg. 11



### Becu Tips Diameter

Tip Style	Diameter
<b>A</b> 90°	0.075 (1.91)
<b>B</b> 30°	0.040 (1.02)
<b>C</b>	0.040 (1.02)
<b>D</b>	0.050 (1.27)
<b>E</b> 90°	0.075 (1.91)
<b>F</b>	0.075 (1.91)
<b>G</b> 90°	0.040 (1.02)
<b>H</b>	0.075 (1.91)
<b>J</b>	0.040 (1.02)
<b>K</b> 45°	0.075 (1.91)
<b>T</b> 60°	0.075 (1.91)
<b>V</b>	0.060 (1.52)
<b>X</b>	0.060 (1.52)

### Probe Specifications

Minimum Centers	0.100 (2.54)
Current Rating	3 A continuous
Spring Force	4.00 oz (113 g), 7.00 oz (198 g), 8.30 oz (235 g), or 10.00 oz (283 g) @ 0.100 (2.54) travel
Preload Force	1.60 oz (45 g) (4.00 oz spring/BeCu) 2.90 oz (82 g) (7.00 oz spring/stainless steel) 3.30 oz (93 g) (8.30 oz spring/music wire) 3.90 oz (110 g) (10.00 oz spring/music wire)
Typical Resistance	< 35 mΩ
Maximum Travel	0.160 (4.06)
Working Travel	0.100 (2.54)

### Materials

Barrel	Nickel/silver, gold plated
Spring	Beryllium copper, precious metal plated, music wire, or stainless steel, gold plated
Plunger	Beryllium copper, gold plated over nickel, or Duralloy™

### How to Order

**S - 2 - A - 4 - G**  
**1 2 3 4 5**

<b>1 Series</b>	<b>S</b>
<b>2 Size</b>	<b>2</b>
<b>3 Tip Style</b>	<b>A, B, C, D, E, F, G, H, J, K, T, V, X,</b>
<b>4 Spring Force</b>	<b>4 oz 7 oz</b> <b>8.3 oz 10 oz</b>
<b>5 Plunger Plating</b>	<b>G Gold D Duralloy™</b>